



GALTRONICS

End-of-Life (EOL) Notification

EOL Number: GT06904

60”x2” 8-Port Outdoor Omni Whip Antenna [1695-2200 and 3550-3700 MHz]. Galtronics announces the end-of-sale and end-of-life dates for our referenced model GO6008-06904-xxx.

Notification Date*:	June 24, 2026
Last Time Buy (LTB) Date:	June 24, 2026
End of Life (EOL) Date:	June 24, 2026
Market Regions Affected:	ALL
<i>*All orders placed after the date of this notice cannot be canceled or returned. Please check with your Galtronics Sales Representative for details and availability of inventory.</i>	

Reason for End of Life of this Product

Product does not support Band 41 and full C-Band spectrum 3300-4200 MHz.

Manufacture Discontinuance and Last Time Buy Definition

As part of ending the life of antenna products this notice serves as a formal communication of Galtronics USA, Inc intent to Manufacture Discontinuance (MD) and offer Last Time Buy (LTB) date for the product(s) noted.

Discontinued Model Number	Suggested Replacement Model(s)*
GO6008-06904-111- Brown (Fed Std 595, 10049)	
GO6008-06904-112 - Brown (Fed Std 595, 10049) for wood poles, including MK-06696 side mount	GO5108-07717-112 (Brown) MK-06696 Side Mount Bracket
GO6008-06904-612 - Gray/Silver (Fed Std 595, 26373), including MK-06766 spacer collar	GO5108-07717-612 (Gray) MK-06766 Top Mount Spacer Collar
	GO6012-08242-112 (Gray 26373, Fed Std 595) Includes MK-06766 Spacer Collar Light Gray
GO6008-06904-622 - Black (Fed Std 595, 27038), including MK-06766 spacer collar	
GO6008-06904-632 - Green (Fed Std 595, 14062), including MK-06766 spacer collar	
GO6008-06904-642 - Green (RAL 6012), including MK-06766 spacer collar	
GO6008-06904-652 - Dark Green (Fed Std 595, 14036), including MK-06766 spacer collar	
Data Sheet Link	Data Sheet Link
GO6008-06904	GO5108-07717
	GO6012-08242

Galtronics USA Inc

8930 S. Beck Avenue, Suite 103 Tempe, Arizona 85284 USA Phone: 1-480-496-5100

60"x2" 8-Port Outdoor Omni Whip Antenna [1695-2200 and 3550-3700 MHz]

GO6008-06904

Description:

- Omni Whip Antenna for Outdoor DAS and Small Cells
- 4x ports for AWS/PCS Band 1695-2200 MHz
- 4x ports for CBRS 3550-3700 MHz
- Top and side pole mount options



1695-2200 and 3550-3700 MHz
Outdoor Omni Whip Antenna

Electrical Specifications

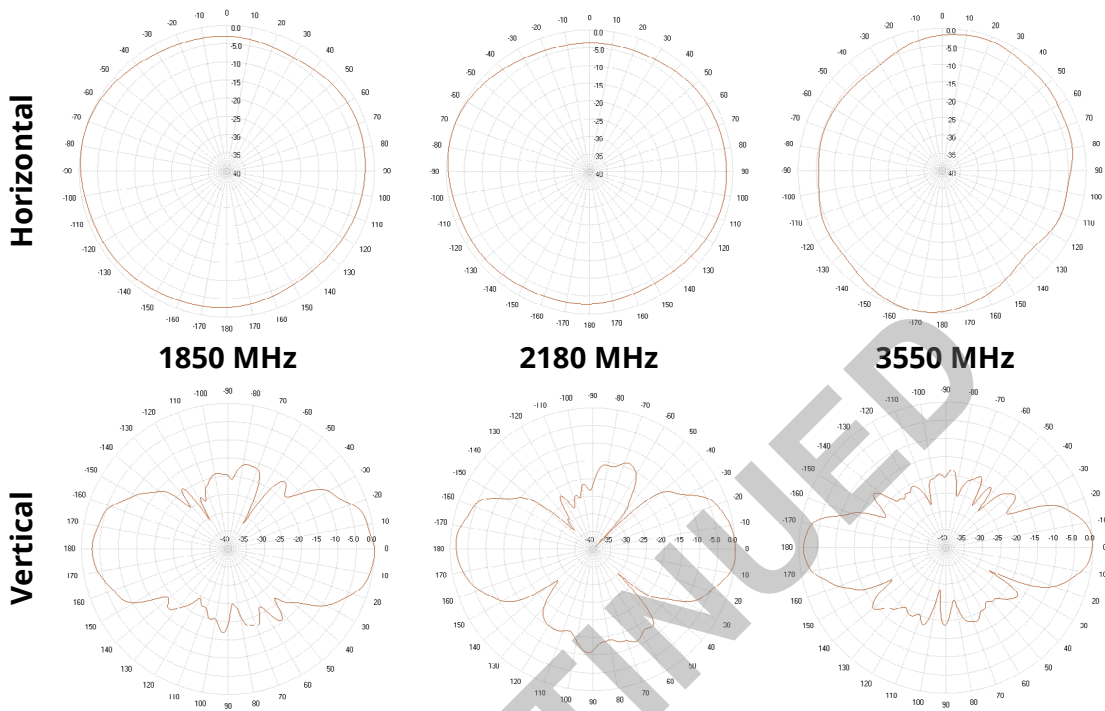
Frequency Band [MHz]	1695-2200	3550-3700
Input Connector Type	4x 4.3-10 (F)	4x 4.3-10 (F) w/ pigtails
Isolation (min.)	25 dB	20 dB
VSWR (max.) / RL (min.)	1.5:1 / 14.0 dB	
Impedance	50 Ω	
Polarization	Vertical	Dual Slant 45° (± 45°)
Horizontal Beamwidth	Omni (360°)	
Elevation Beamwidth	36.9°	24.0°
Gain (max.)	6.7 dBi	7.1 dBi
Gain (avg.)	5.7 dBi	6.1 dBi
Downtilt	0° fixed	
Max Power / Port	50 Watts	
PIM @ 2x43 dBm	<-153 dBc	N/A

Mechanical Specifications

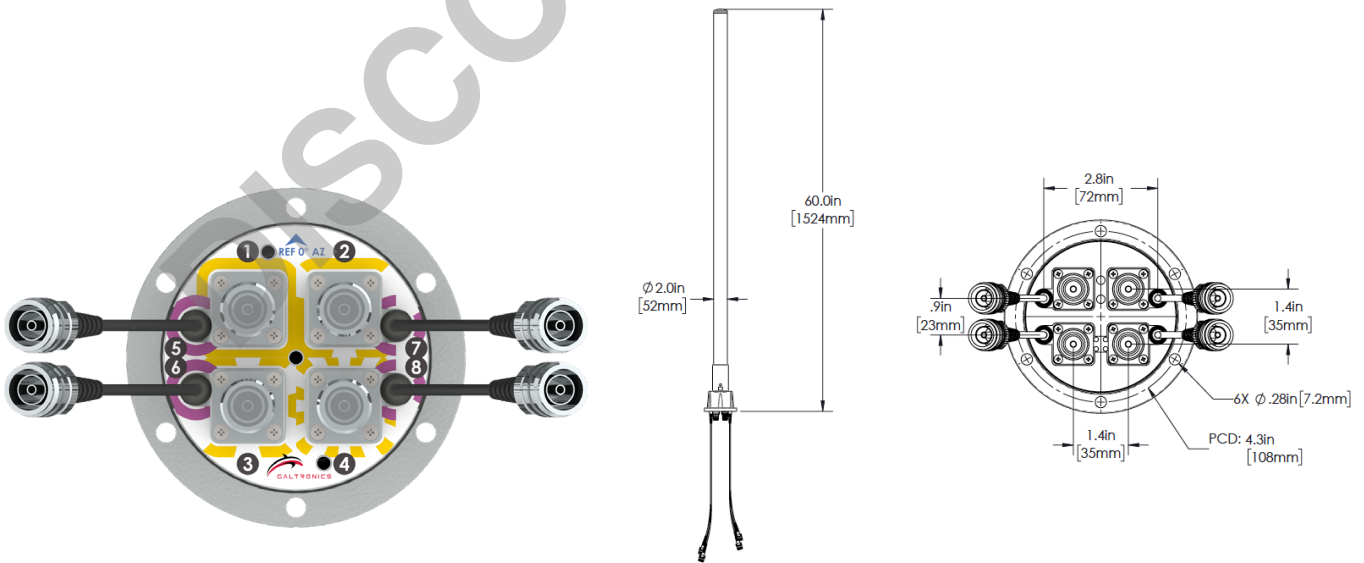
Operating Temperature	-40° to 158°F (-40° to +70°C)
Antenna Weight	6.7 lbs (3.04 kg)
Antenna Diameter	2" (52 mm)
Antenna Height	60" (1524 mm)
Radome Material	Fiberglass
Radome Color	Brown (Fed Std 595), Gray/Silver (Fed Std 595), Black (Fed Std 595), Green (Fed Std 595), Green (RAL 6012), Dark Green (Fed Std 595),
Ingress Protection	Outdoor
Wind Survival Rating	150 mph (241 km/h)
Connectors	8x 4.3-10 (F)

RFD# 6904 ; Revision: R3 ; Release Date: September 20,, 2021;

2D Antenna Patterns



Additional Technical Information



Mating Male Connector Torque:
4.3-10: 3.7 ft-lb (5 Nm)

Top-Mount Bottom View



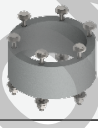
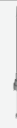


Top-Mount

RFD# 6904 ; Revision: R3 ; Release Date: September 20, 2021;

Part Numbers, Ordering Options and Accessories

Description	Connectors	Mounting Accessories	Color	Part Number
8-Port Outdoor Omni Whip Antenna	4x for AWS/PCS 4x pigtails for CBRS	N/A	Brown (Fed Std 595, 10049)	GO6008-06904-111
		including MK-06696 side mount	Brown (Fed Std 595, 10049)	GO6008-06904-112
		including MK-06766 spacer collar	Gray/Silver (Fed Std 595, 26373)	GO6008-06904-612
			Black (Fed Std 595, 27038)	GO6008-06904-622
			Green (Fed Std 595, 14062)	GO6008-06904-632
			Green (RAL 6012)	GO6008-06904-642
			Dark Green (Fed Std 595, 14036)	GO6008-06904-652

Mounting Kit and Accessories Part Number

Description	Part Number
Side Mount Bracket 	MK-06696 (Included with GO6008-06904-112)  MK-06696 kit with Whip Antenna
Antenna spacer collar 	MK-06766  MK-06766 kit with Whip Antenna
Stubby Top Mount Bracket 	MK-06840 (Sold Separately)
Extended Top Mount Bracket 	MK-06841 (Sold Separately)