

Ultra Wideband SISO DAS Antenna [617-960, 1695-2690 & 3300-4200 MHz]

## HyperFlat™ GI0801-07361

### Description:

**Not recommended for metal ceiling applications. For antenna installation on metal ceilings, please contact your local Galtronics sales representative.**

- HyperFlat™ design minimizes aesthetic impact
- Patent Pending technology - only 3.6mm/0.143" thick with excellent gain/coverage
- Omnidirectional antenna covering 617-960, 1695-2690 & 3300-4200 MHz for DAS applications requiring ceiling mounted omni antennas
- Optional external MK-07458 reflector available to optimize RF performance and reduce unwanted backside radiation



### Electrical Specifications

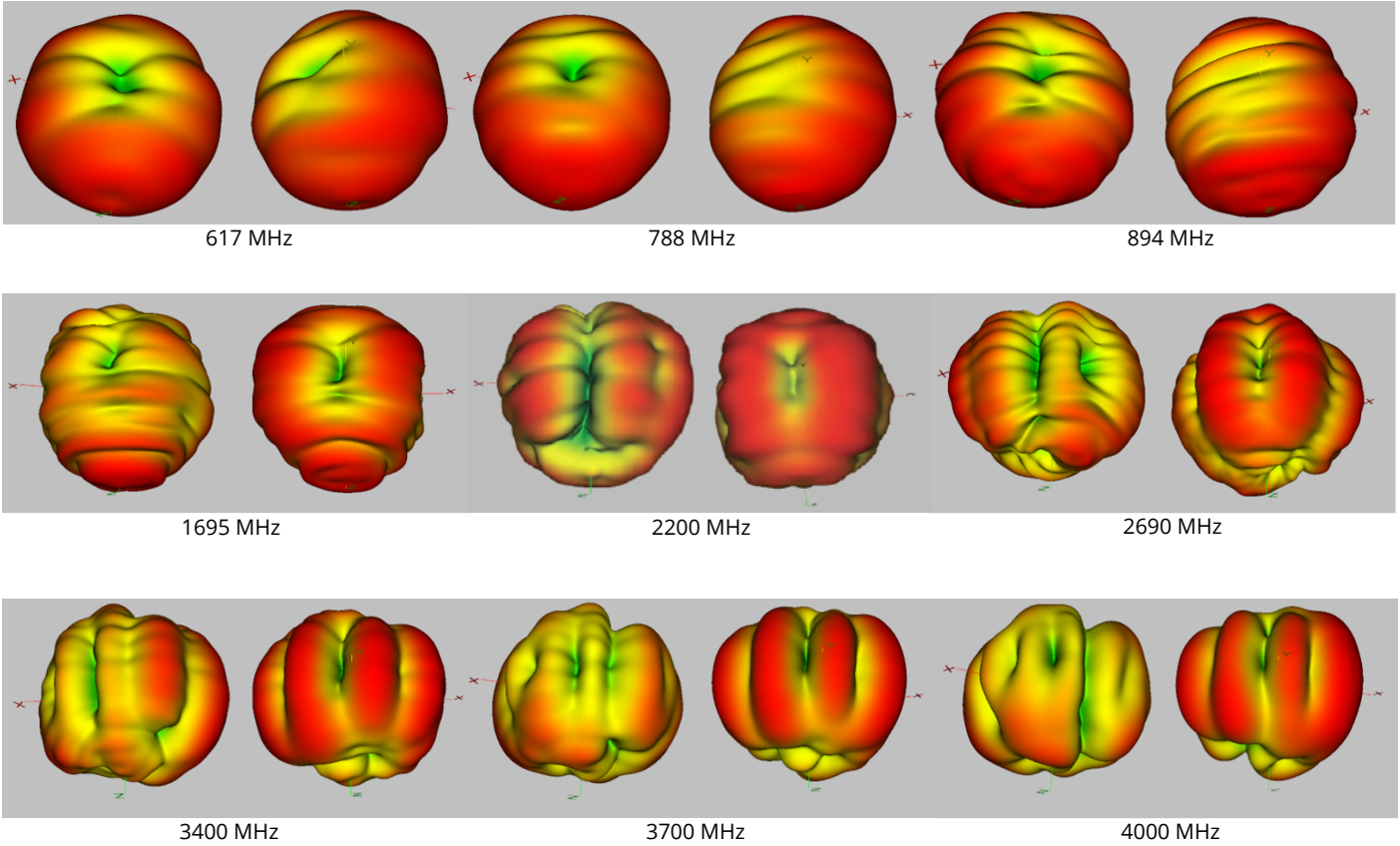
Frequency Band [MHz]	617-698	698-806	806-960	1695-1850	1850-1990	1990-2200	2200-2400	2400-2690	3300-4200
<b>Input Connector Type</b>	4.3-10(F) Pigtail (19.7"/500 mm)								
<b>VSWR /RL With/Without MK-07458 Reflector</b>	1.93:1 / 10.0	1.7:1 / 12.0 except 1.5:1 / 14.0 in the following bands: 746-787 MHz / 824-894 MHz / 1710-1780 MHz / 1850-1990 MHz / 2110-2200 MHz / 3550-3980 MHz							
<b>Polarization</b>	Linear								
<b>Horizontal Beamwidth (°)</b>	Omni (360)								
<b>Gain (dBi, max.)</b>	4.3	5.2	5.4	4.3	3.3	4.5	4.5	4.6	6.4
<b>Gain (dBi, avg.)</b>	3.8	4.7	4.8	3.6	3.2	4.0	3.7	3.8	6.0
<b>Max Power / Port (Watt)</b>	50 @77°F (25°C)								
<b>PIM @ 2x43 dBm (dBc)</b>	-153								-145
<b>Impedance (Ω)</b>	50								

### Mechanical Specifications

<b>Operating Temperature</b>	-40° to 158°F (-40° to +70°C)
<b>Antenna Weight</b>	0.30 lbs (0.14 kg)
<b>Antenna Dimensions (diameter x height)</b>	8.0" (203.2 mm) x 0.143" (3.6 mm)
<b>Flammability</b>	UL94-V0 Compliant
<b>Pigtail</b>	Plenum Rated
<b>RoHS</b>	Compliant
<b>Colors*</b>	White, Gray, Black
<b>Environmental Rating</b>	Indoor

\* Minor variation of each specific color is natural.

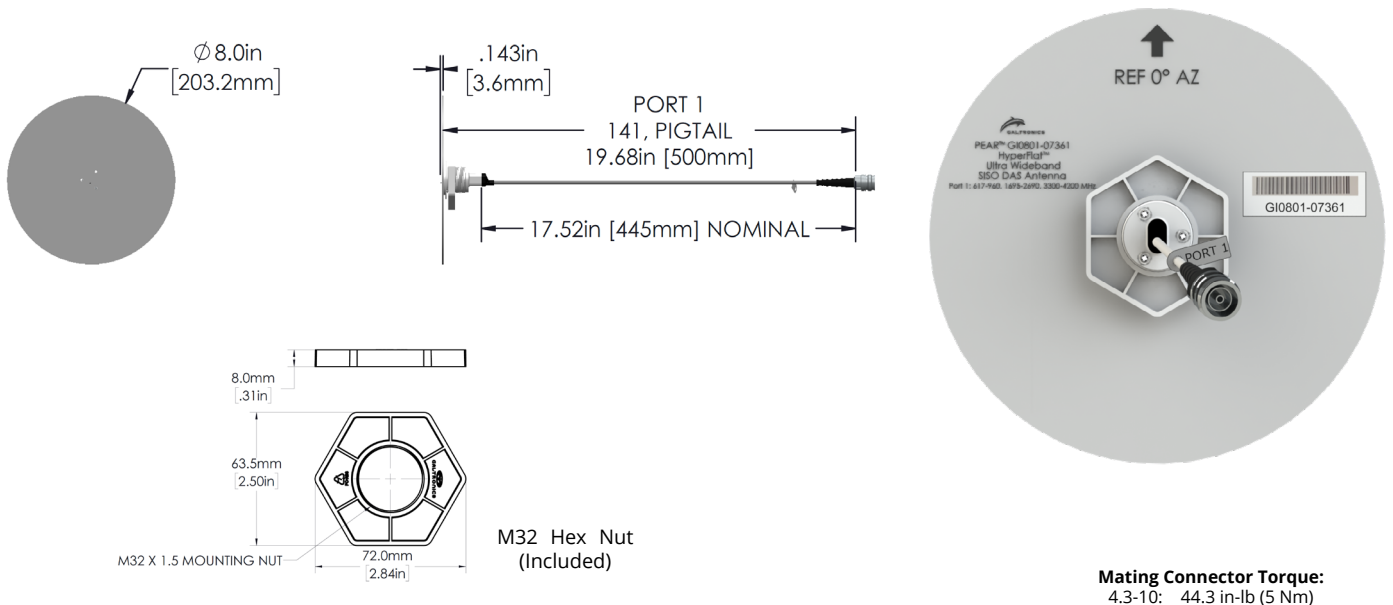
## 3D Antenna Patterns



### 3D Patterns Note:

3D images above denote X & Y Axes in horizontal plane, while Z-axis is in vertical plane towards floor/user as would be typical of most DAS ceiling mounted omnidirectional antenna installations. Y-axis corresponds to "REF 0° AZ" orientation arrow on rear of antenna (see outline).

## Antenna Outline and Bottom View with Label

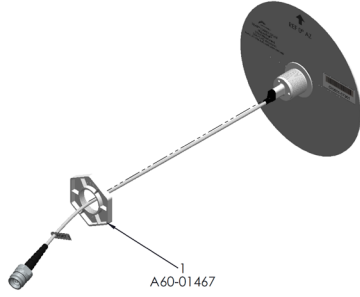
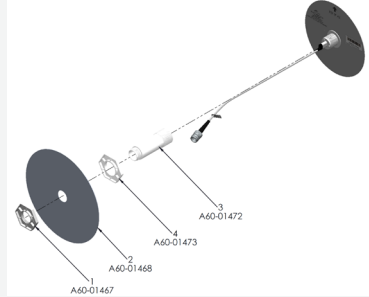
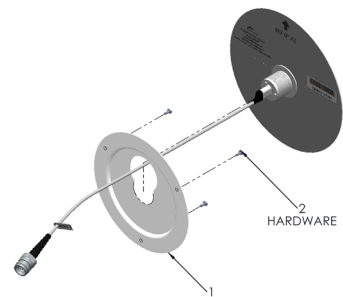


RFID#7361; Revision: R6; Release Date: December 22, 2025;

## Part Numbers & Ordering Options

Description	Color*	Mounting Kit	Part Number
HyperFlat™ DAS SISO Omni Antenna with 19.7" (500mm) 4.3/10(F) Pigtail	White	Includes M32 Mounting Hex Nut for Ceiling Tile Installation	GI0801-07361-212
HyperFlat™ DAS SISO Omni Antenna with 19.7" (500mm) 4.3/10(F) Pigtail and screw covered			GI0801-07361-212-0
HyperFlat™ DAS SISO Omni Antenna with 19.7" (500mm) 4.3/10(F) Pigtail	Gray		GI0801-07361-112
	Black		GI0801-07361-B12
HyperFlat™ DAS SISO Omni Antenna with 19.7" (500mm) 4.3/10(F) Pigtail and MK-07458 Reflector Kit	White	Includes M32 Mounting Hex Nut for Ceiling Tile Installation and MK-07458 Reflector Kit	GI0801-07361-21R
HyperFlat™ DAS SISO Omni Antenna with 19.7" (500mm) 4.3/10(F) Pigtail, screw cover and MK-07458 Reflector Kit			GI0801-07361-21R-0
HyperFlat™ DAS SISO Omni Antenna with 19.7" (500mm) 4.3/10(F) Pigtail and MK-07458 Reflector Kit	Gray		GI0801-07361-11R
	Black		GI0801-07361-B1R

## Mounting Brackets & Optional Accessories

Description	Part Number
<p><b>Below Ceiling Installation (Included)</b></p> <p>Plastic Hex Nut for below suspended ceiling mounting included with antenna. Maximum ceiling thickness 0.75" (19 mm).</p> <p>Instructions: Drill a 47 mm minimum (1.875" nominal) hole in the ceiling tile. Secure the antenna to the ceiling tile with the supplied plastic nut on backside (do not over tighten).</p> <p><b>NOT RECOMMENDED FOR FLUSH MOUNTING TO METAL CEILINGS</b> (except when using the external reflector kit with spacer)</p>	 <p>A60-01467</p>
<p><b>External Reflector/Ground Plane (Optional)</b></p> <p>Optional external ground plane be placed above the antenna (on backside of ceiling tile) to improve gain, and limit potential unwanted backside RF radiation. The MK-07458 is supplied with spacer collar and plastic hex nut to locate the reflector securely in place.</p>	 <p>MK-07458</p>
<p><b>Hard Ceiling Installation Bracket (Optional)</b></p> <p>The hard ceiling mounting bracket allows for installation onto drywall, wood or plastic ceilings possible by eliminating additional access above the antenna.</p> <p><b>NOT RECOMMENDED FOR FLUSH MOUNTING TO METAL CEILINGS</b></p>	 <p>MK-07515</p> <p>A60-01466</p> <p>HARDWARE</p>

\* Minor variation of each specific color is natural.

Copyright © 2025 – Galtronics Corporation Ltd.

Proprietary Information. All rights reserved. Galtronics reserves the right to modify or amend any antenna or specification without prior notice.