

50" 6-Port Omni Whip/Mini-Canister Antenna [617-896 & 1695-2690 MHz]

GO5006-07058

Description:

- Omni Whip/Mini-Canister Antenna for Outdoor DAS and Small Cells
- Minimal aesthetic impact; can be easily added to top or sides of poles to create 4G, 5G or 4G/5G nodes
- 2x ports for Low Band 617-896 MHz
- 4x ports for AWS/PCS/WCS Band 1695-2690 MHz



617-896 and 1695-2690 MHz
6-Port Omni Whip/Mini-Canister Antenna

Electrical Specifications

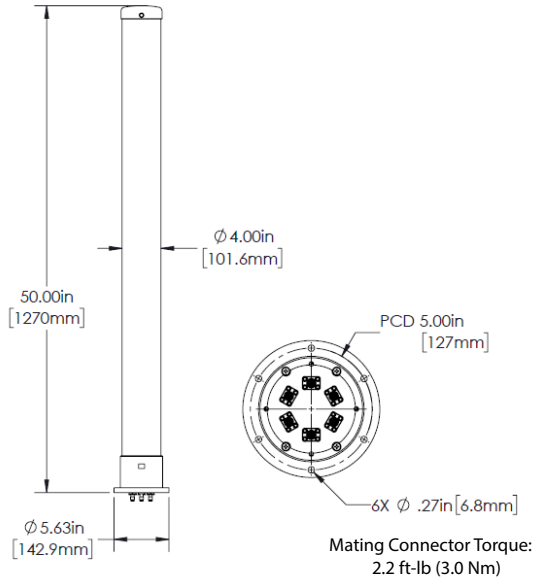
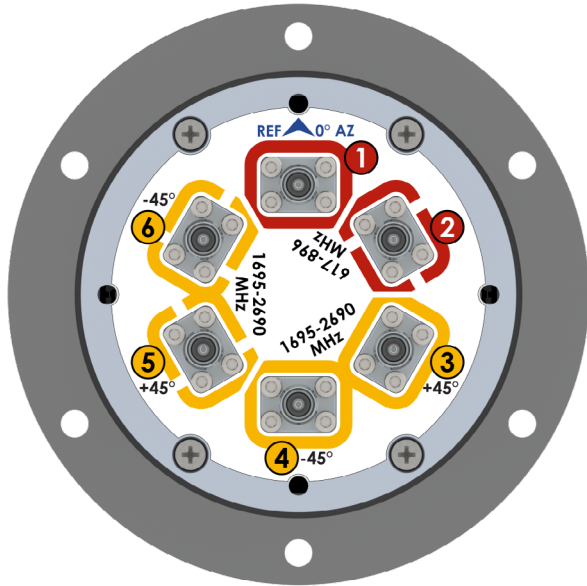
Frequency Band [MHz]	617-698	698-806	806-896	1695-2200	2305-2360	2496-2690
Port Designator	P1~P2			P3~P6		
Input Connector Type	2x NEX10(F)			4x NEX10(F)		
Isolation (dB)	20			20		
VSWR /RL (dB)	1.5:1 / 14.0					
Impedance (Ω)	50					
Polarization (°)	Vertical			Dual slant 45 (±45)		
Horizontal Beamwidth (°)	Omni (360)					
Vertical Beamwidth (°)	47	44	36	33	27	28
Gain (dBi, max.)	6.1	6.3	6.5	7.4	8.1	8.8
Gain (dBi, avg.)	5.0	4.8	4.5	5.7	7.2	7.3
Downtilt (°)	0 Fixed					
Max Power / Port (Watt)	50					
PIM @ 2x43 dBm (dBc)	-153					

Mechanical Specifications

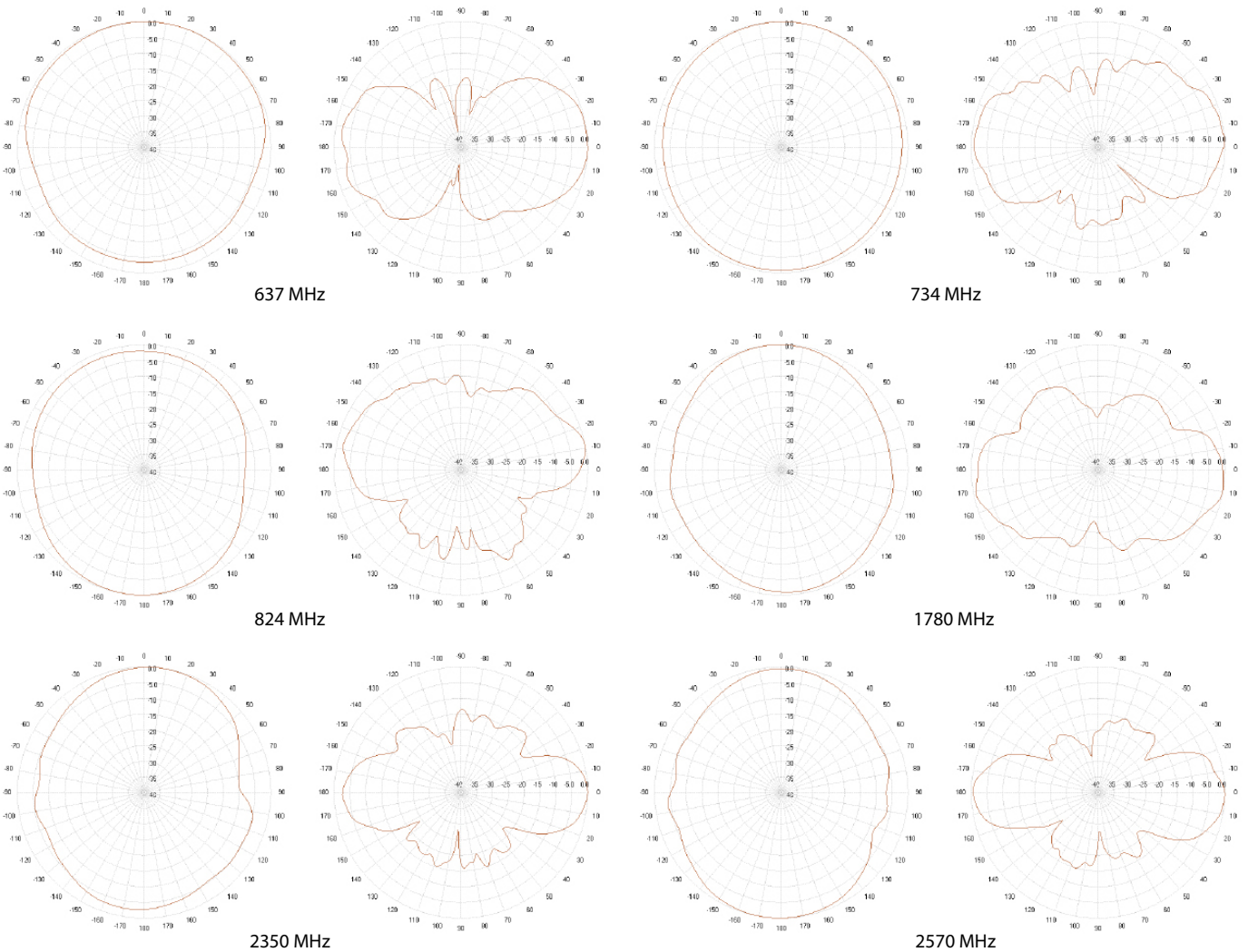
Operating Temperature	-40° to 158°F (-40° to +70°C)
Antenna Weight	18.0 lbs (8.2 kg)
Antenna Diameter	4" (102 mm)
Antenna Height	50" (1270 mm)
Radome Material	ASA
Radome Color	Light Gray / Black / Brown
Environment Rating	Outdoor
Wind Survival Rating	150 mph (241 km/h)

RFD#: 7058 ; Revision: R1 ; Release Date: May 2nd, 2024 ;

Antenna Outline & Port Designation Details



2D Antenna Patterns

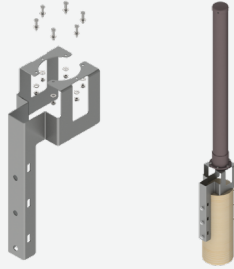


Copyright © 2024 – Galtronics Corporation Ltd.
Proprietary Information. All rights reserved. Galtronics reserves the right to modify or amend any antenna or specification without prior notice.

Part Numbers, Ordering Options and Accessories

Description	Color	Mounting Kit	Part Number
Top-Mount Omni Whip/Mini-Canister Antenna with 6 x NEX10 (F) connectors	Light Gray 26373 (Fed Std 595)	Includes MK-08110 adapter in light gray	GO5006-07058-112
Top-Mount Omni Whip/Mini-Canister Antenna with 6 x NEX10 (F) connectors	Black 27038 (Fed Std 595)	Includes MK-08110 adapter in black	GO5006-07058-B12
Side-Mount Omni Whip/Mini-Canister Antenna with 6 x NEX10 (F) connectors	Brown 10049 (Fed Std 595)	Includes MK-08085 pole bracket	GO5006-07058-612

Mounting Brackets and Optional Accessories

Description	Part Number
<p>Adaptor Top Mount Bracket [Included for option -112 or -B12]</p> <p>The MK-08110 adaptor is suitable for mounting Galtronics 4" whip antennas on MK-06840.</p>	 <p>MK-08110</p>
<p>Pole Mount Bracket for Whip Antenna [Included for option -612]</p> <p>The MK-08085 steel mounting bracket is suitable for outdoor installations of all Galtronics 4" whip antennas that have the standard bolt mounting flange.</p> <p>It is recommended for installation onto wooden, metal or composite poles ranging in diameter from 4" (101mm) to 12" (305mm).</p> <p>Note: The MK-08085 mounting bracket can also be ordered separately</p>	 <p>MK-08085</p>
<p>Top Mount Bracket [Optional]</p>	 <p>MK-06840</p>