



Mounting Bracket

For Outdoor Base Station Panel Antennas

DESCRIPTION:

This steel mounting bracket is suitable for all Galtronics outdoor Base Station Panel antennas with height 6' and above, and can be assembled onto poles ranging from $\varnothing 2.375''$ ($\varnothing 60.3$ mm) to $\varnothing 4.5''$ ($\varnothing 114.3$ mm).

Specifications	
Model Number	MK-07286
Environmental Conditions	Outdoor
Weight	14.0lbs (6.36kg)
Material	Galvanized Steel
Wind Speed Resistance	150mph (240kmh)
Pole Diameter Range	$\varnothing 2-3/8''$ ($\varnothing 60.3$ mm) to $\varnothing 4-1/2''$ ($\varnothing 114.3$ mm)
Mounting Style	Pole Mount
Mounting Hardware to Antenna	Supplied with Bracket
Mounting Hardware to Pole	Supplied with Bracket
Mounting Hardware to Wall	Partially supplied with Bracket
Down Tilt Range	0° to 10°
Reversibility	Top & bottom brackets can be reversed on antenna to provide uptilt (if necessary)

MK-07286; August 23, 2021; Revision: R2

COMPATIBLE ANTENNA MODELS* GALTRONICS 6' and ABOVE BASE STATION ANTENNAS

Assembly Drawing

Figure 1. Exploded View of Mounting Bracket Assemblies

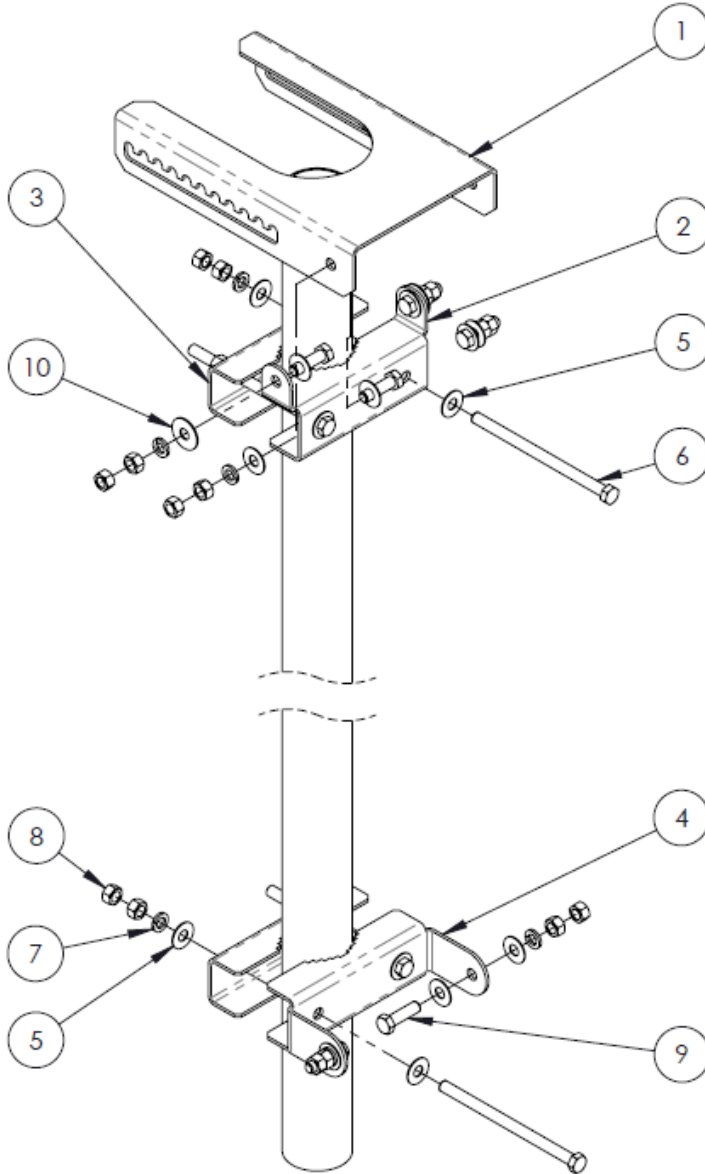


Table 1 - Top Bracket Hardware

ITEM	QTY	DESCRIPTION
1	1	BRACKET, INDEX
2	1	BRACKET, TOP FRONT
3	2	REAR CLAMP
4	1	BRACKET, BOTTOM FRONT
5	18	WASHER, FLAT, 1/2" SCREW, HDG STEEL
6	4	SCREW, HEX HEAD, 1/2"-13 UNC, 8" L, HDG STEEL
7	10	WASHER, SPLIT LOCK, 1/2" SCREW, HDG STEEL
8	24	NUT, HEX, 1/2"-13 UNC, HDG STEEL
9	6	SCREW, HEX HEAD, 1/2"-13 UNC, 1-3/4" L, HDG STEEL
10	2	WASHER, FLAT, 1/2" SCREW, 1.5" OD, HDG STEEL

MK-07286; August 23, 2021; Revision: R2

Assembly Instructions

Step 1 – Fasten Bracket assemblies to pole:

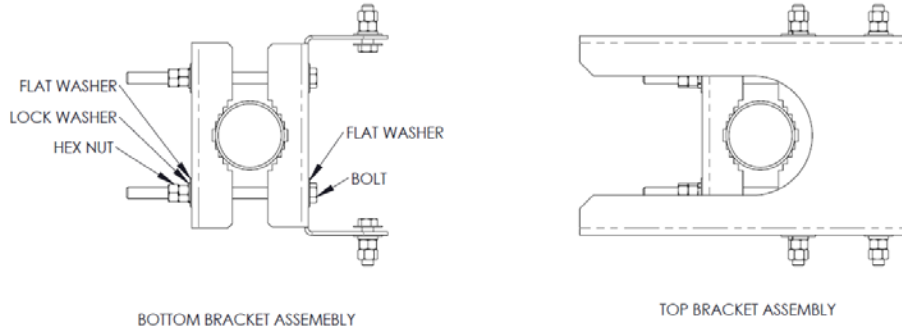


Figure 2. Mounting bracket to pole installation, Bottom and Top bracket assemblies – TOP VIEW

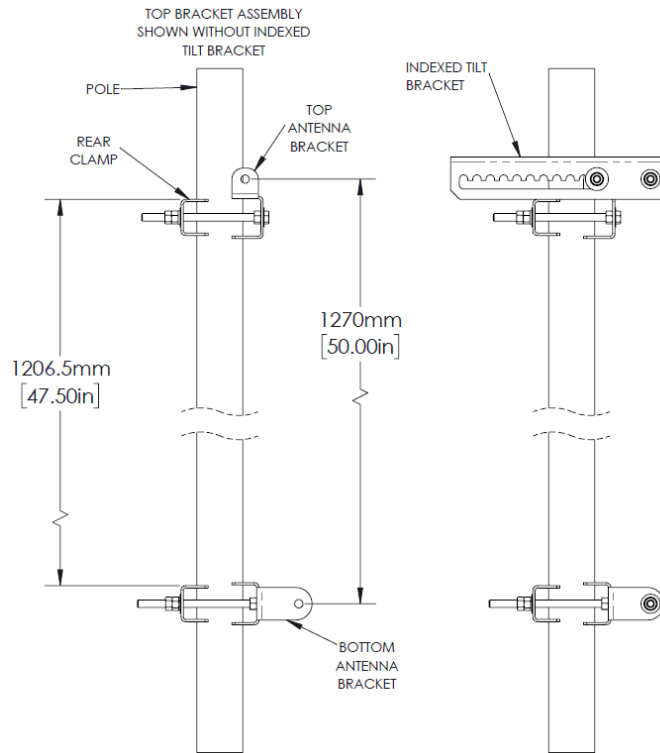


Figure 3. Mounting bracket to pole installation - SIDE VIEW

Step 2 – Attach antenna to brackets:

Attach the antenna onto the pole mounted bracket using the 1/2 " - 13 X 1 - 3/4" hex head.

Torque Hex Nuts to 30 ft/lb.