

## Mounting Bracket

For Outdoor Base Station Panel Antennas

### DESCRIPTION:

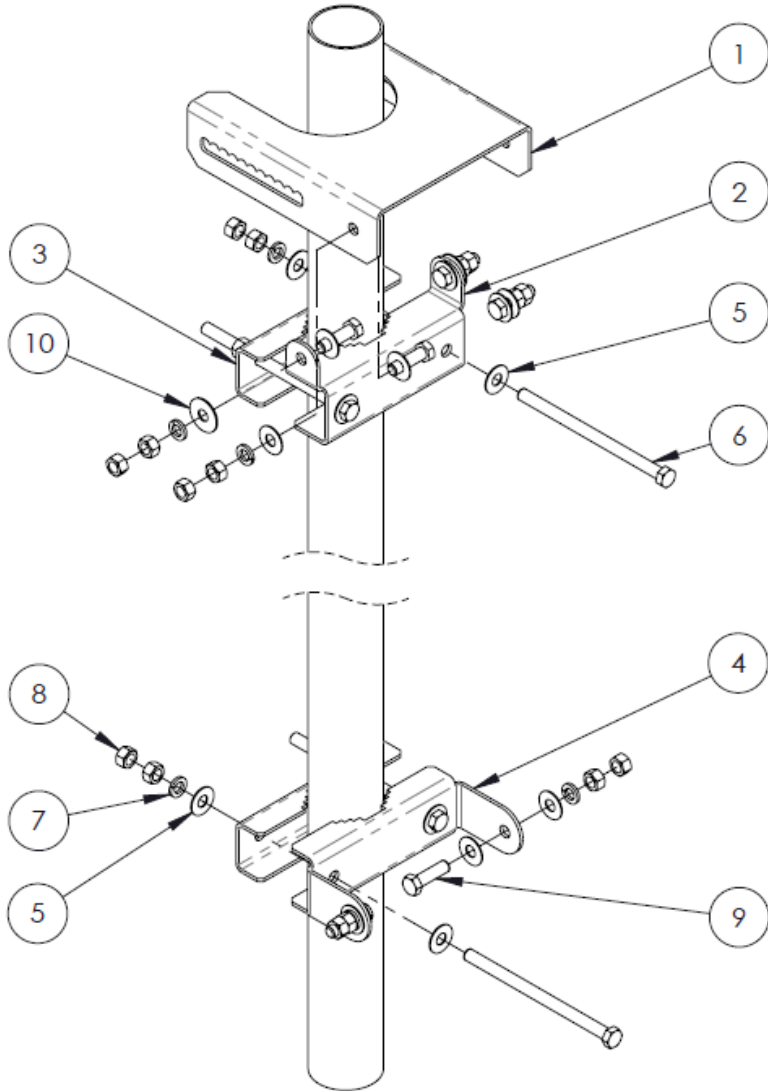
This steel mounting bracket is suitable for all Galtronics outdoor Base Station Panel antennas with height between 2.5' and 4', and can be assembled onto poles ranging from Ø2" (Ø50.8 mm) to Ø5" (Ø127 mm).

Specifications	
Model Number	MK-06989
Environmental Conditions	Outdoor
Weight	13.4lbs (6.1kg)
Material	Galvanized Steel
Wind Speed Resistance	150mph (240kmh)
Mounting Style	Pole Mount
Pole Diameter Range	Ø2" (Ø50.8mm) to Ø5" (Ø127mm)
Mounting Hardware to Antenna	Supplied with Bracket
Mounting Hardware to Pole	Supplied with Bracket
Mounting Hardware to Wall	Partially supplied with Bracket
Down Tilt Range	0° to 10°
Reversibility	Top & bottom brackets can be reversed on antenna to provide uptilt (if necessary)

MK-06989; August 24, 2021; Revision: R3

**COMPATIBLE ANTENNA MODELS\* GALTRONICS 2.5' to 4' BASE STATION ANTENNAS**

## Assembly Drawing



ITEM	QTY	DESCRIPTION
1	1	BRACKET, INDEX
2	1	BRACKET, TOP FRONT
3	2	REAR CLAMP
4	1	BRACKET, BOTTOM FRONT
5	18	WASHER, FLAT, 1/2" SCREW, HDG STEEL
6	4	SCREW, HEX HEAD, 1/2"-13 UNC, 8" L, HDG STEEL
7	10	WASHER, SPLIT LOCK, 1/2" SCREW, HDG STEEL
8	24	NUT, HEX, 1/2"-13 UNC, HDG STEEL
9	6	SCREW, HEX HEAD, 1/2"-13 UNC, 1-3/4" L, HDG STEEL
10	2	WASHER, FLAT, 1/2" SCREW, 1.5" OD, HDG STEEL

Figure 1. Exploded View of Mounting Bracket Assemblies

## Assembly Instructions

### Step 1 – Fasten Bracket assemblies to pole:

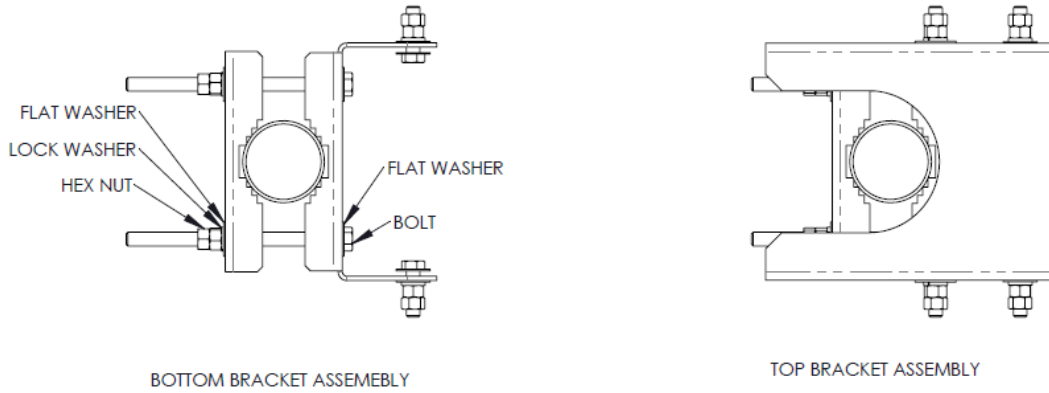


Figure 2. Mounting bracket to pole installation, Bottom and Top bracket assemblies – TOP VIEW

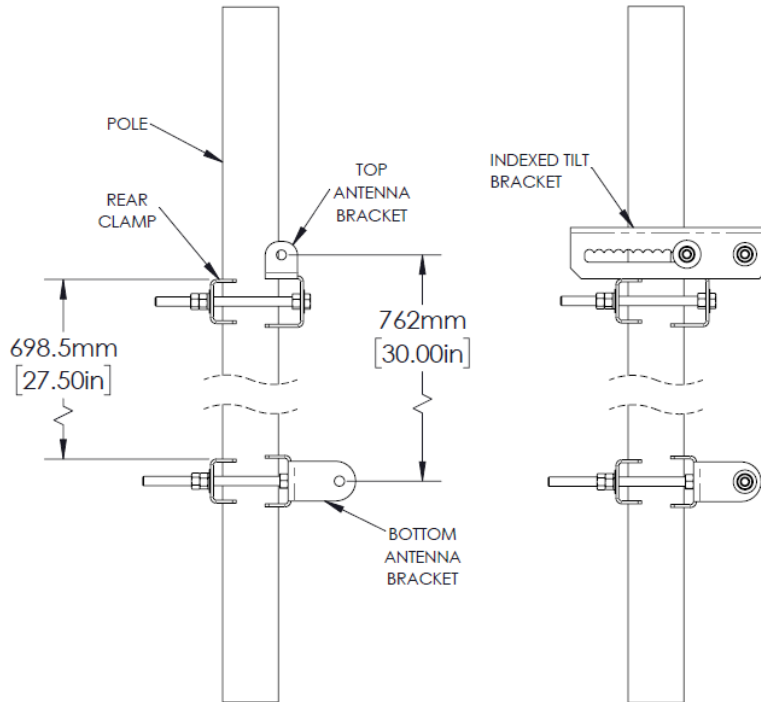


Figure 3. Mounting bracket to pole installation - SIDE VIEW

### Step 2 – Attach antenna to brackets:

Attach the antenna onto the pole mounted bracket using the 1/2 " - 13 X 1 - 3/4" hex head.

Torque Hex Nuts to 30 ft/lb.