

HyperFlat™ Antenna Hard Ceiling Mount Kit

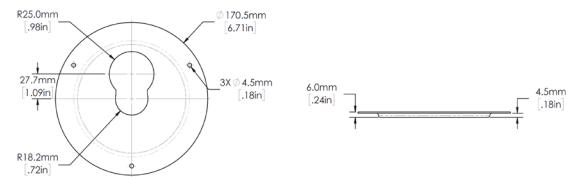
MK-07515

Description/Features:

- Hard Ceiling Kit for Galtronics HyperFlat™ omnidirectional antennas
- Used when ceiling thickness exceeds 0.75" / 19mm
- Allows use of MK-07458 (SISO) and MK-07470 (MIMO) reflector kits behind hard mounting surface if needed
- Aesthetically pleasing, secure installation

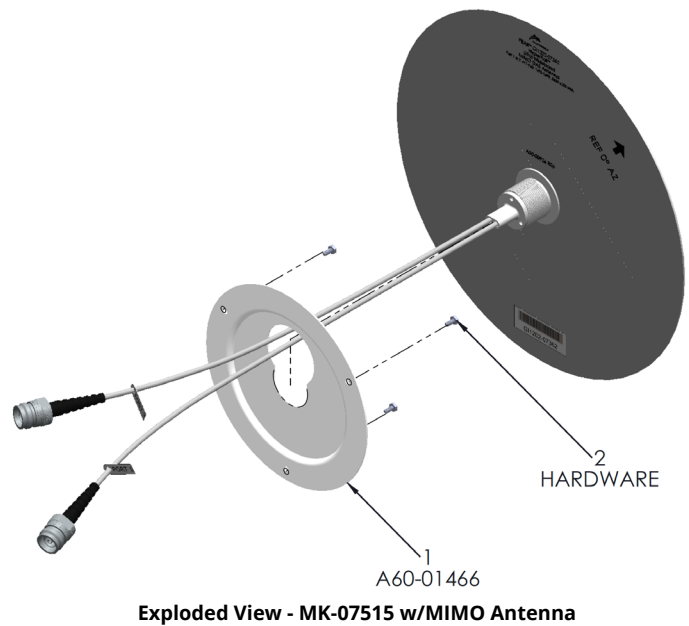
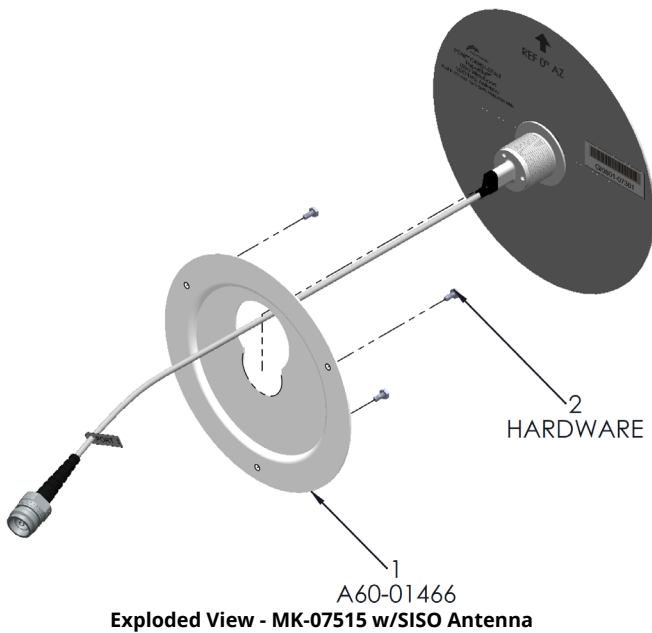


Specifications	
Environmental Conditions	Indoor/Outdoor
Diameter	6.17" (170.5 mm)
Height	0.24" (6.0 mm)
Weight	0.10 lb (0.045 kg)
Flammability	UL94-V0 Compliant
RoHS Compliant	Yes
Compatible Antenna Models	GI0801-07361 (SISO), GI1202-07362 (MIMO)
Orderable Part Number	MK-07515
Packaging Quantity	5 pcs



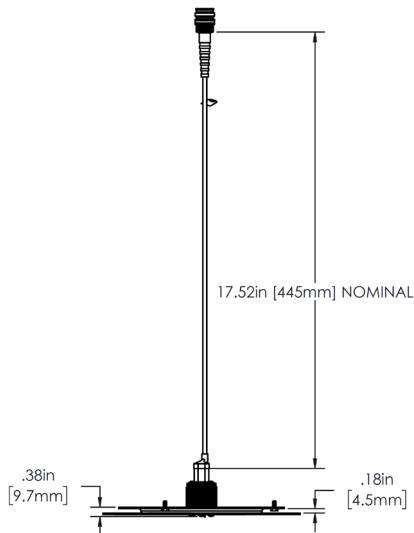
Hard Ceiling Mount Outline

Kit Contents			
Item	Qty	Part Number	Description
1	1	A60-01466	HARD CEILING MOUNT
2	3	-	NON-CONDUCTIVE MTG HARDWARE

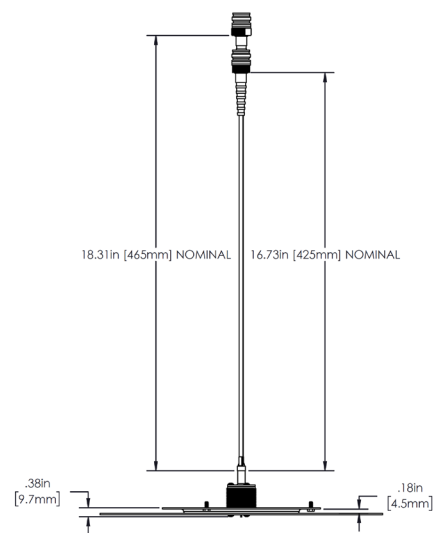


Hard Ceiling Mount Installation Instructions

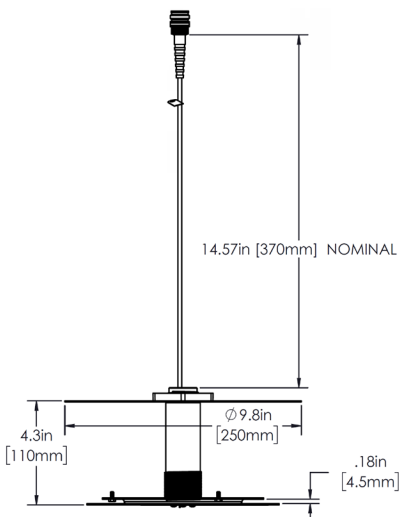
1. Do not install hard ceiling mount and antenna onto a conductive (metallic or re-bar reinforced concrete) material or surface. The space in the back of antenna, and between MK-07458/MK-07470 reflectors (if used) must be completely free of any conductive materials.
2. Drill a 4.375" nominal (4.25" min./4.5" max.) through hole in the center of the location where MK-07515 Hard Ceiling Mount is to be installed. MK-07515 center is the smaller of the two holes.
3. Mount the MK-07515 to the mounting surface using the supplied plastic hardware supplied. MK-07515 should be oriented so that mounting through holes in the outer ring are flush with the mounting surface. It is important that no metallic mounting hardware (screws or wall anchors) be substituted, otherwise it may affect RF performance.
4. If there is no easy access behind hard ceiling mount, antenna pigtail(s) may be connected to system jumpers at this time.
5. Slide antenna into larger of the two holes in the MK-07515, including pigtail(s). If pigtail(s) have been connected to system jumpers, take care to not stress or damage system jumpers or pigtails.
6. Once antenna is completely bottomed out into MK-07515 Hard Ceiling Mount (large hole), use mild force to move the antenna towards the smaller (center) through hole. Antenna should "click" into place, which secures the antenna into the hard ceiling mount. No more than mild to moderate force should be necessary to click antenna into place.
7. If pigtails were not connected to system jumpers, do so now. Once connected to system you are now ready to begin system testing.
8. If reflector MK-07458 or MK-07470 are to be used with hard ceiling mount, reflector installation and pigtail to system connection(s) can only be performed after hard ceiling mount/antenna installation, and from the back side of mounting surface. Follow MK-07458 or MK-07470 installation instructions after hard ceiling mount and antenna installation.
9. See assembled outlines and dimensions below.



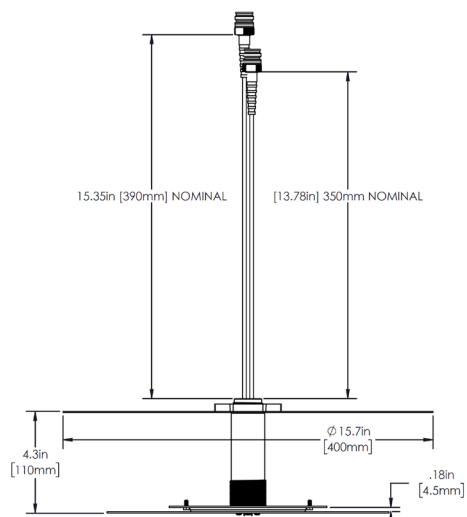
**Assembled Outline
MK-07515 w/SISO Antenna**



**Assembled Outline
MK-07515 w/MIMO Antenna**



**Assembled Outline
MK-07515 w/SISO Antenna & MK-07458 Reflector**



**Assembled Outline
MK-07515 w/MIMO Antenna & MK-07470 Reflector**