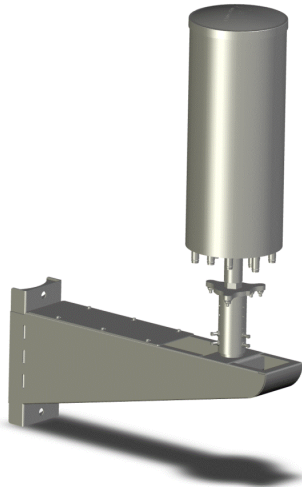


Side Arm Canister Antenna Mounting Kit

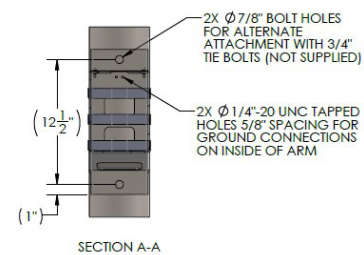
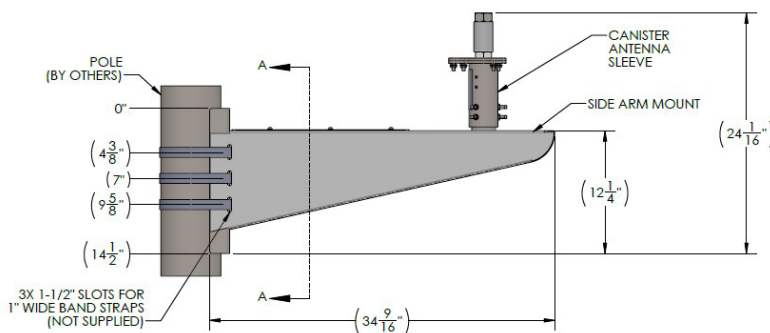
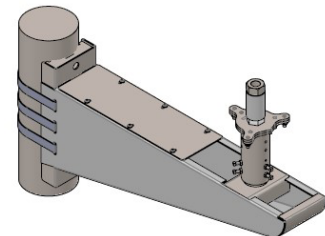
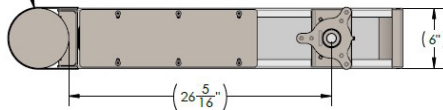
MK-900830

The MK-900830 side arm mounting bracket is suitable for use with all Galtronics 10", 14.5" & 16" diameter outdoor small cell canister antennas with 1" threaded bolt mounting. The MK-900830 can be assembled onto metal, wooden or concrete poles ranging from 3" (76.2 mm) to the largest pole diameters of 14" or more (including flat wall surface mounting), and is constructed from weather resistant 304 grade stainless steel that resists external PIM generation. The MK-900830 is available in four color options to satisfy a variety of site aesthetic



Specifications:	
Environmental Conditions	Outdoor
Height	24.0625" (611.1 mm)
Width	6.0" (152.4 mm)
Depth	34.5625" (877.9 mm)
Pole Diameter - Minimum	3.0" (76.2 mm)
Pole Diameter - Maximum	Infinite (Up to Flat Wall)
Material	304 Grade Stainless Steel
Colors	Natural, Black, Gray & Brown
Weight	47.3 lbs (21.5 kg)
Wind Survival Rating	150 mph (240 kmh)
Installation Guide	Available Upon Request

MINIMUM POLE SIZE ϕ 3".
THROUGH BOLTING
RECOMMENDED FOR
POLES LARGER THAN
 ϕ 15" OR FLAT SURFACES



Ordering Options and Part Numbers

Description	Color	Part Number	Notes
Side Arm Canister Mounting Kit	Natural (Stainless Steel)	MK-900830-0	For use with any Galtronics 10", 14.5" or 16" diameter canister antennas using 1" threaded bolt mounting
	Black (Pantone Black 6C)	MK-900830-1	
	Gray (RAL 7035)	MK-900830-3	
	Brown (Pantone 4625C)	MK-900830-34	