

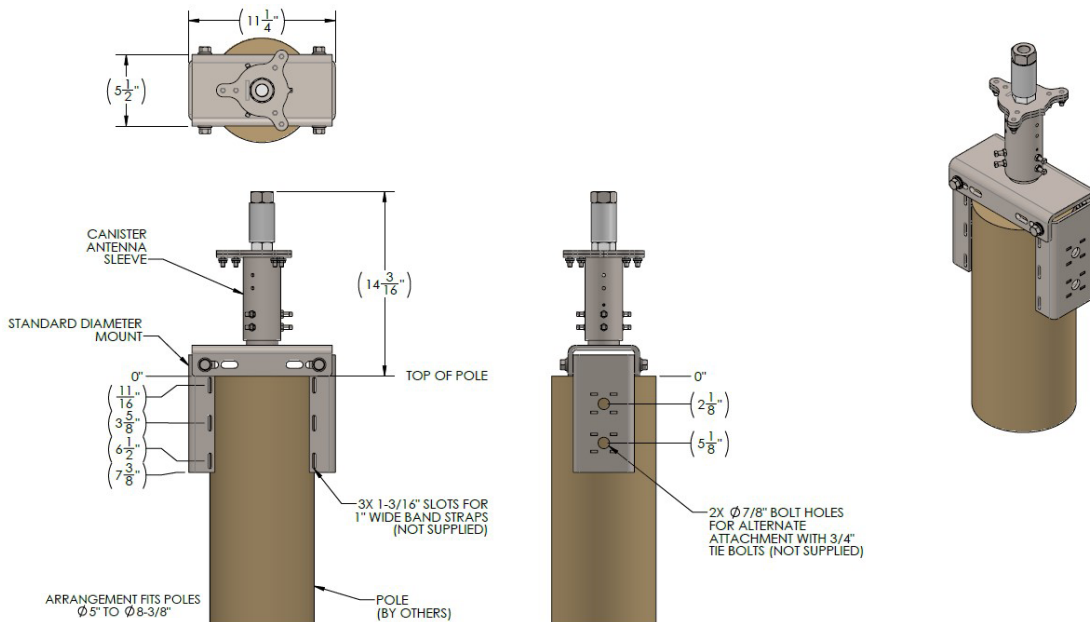
## Standard Diameter Pole Canister Antenna Mounting Kit

# MK-900829

The MK-900829 top mounting bracket is suitable for use with all Galtronics 10", 14.5" & 16" diameter outdoor small cell canister antennas with 1" threaded bolt mounting. The MK-900829 can be assembled onto metal, wooden or concrete poles ranging from 5" (127 mm) to 8.375" (212.7 mm) diameter, and is constructed from weather resistant 304 grade stainless steel that resists external PIM generation. The MK-900829 is available in four color options to satisfy a variety of site aesthetic requirements.



<b>Specifications:</b>	
<b>Environmental Conditions</b>	Outdoor
<b>Height</b>	21.5625" (547.7 mm)
<b>Width</b>	11.25" (285.78 mm)
<b>Pole Diameter - Minimum</b>	5.0" (127 mm)
<b>Pole Diameter - Maximum</b>	8.375" (212.7 mm)
<b>Material</b>	304 Grade Stainless Steel
<b>Available Colors</b>	Natural, Black, Gray & Brown
<b>Weight</b>	30.1 lbs (13.7 kg)
<b>Wind Survival Rating</b>	150 mph (240 kmh)
<b>Installation Guide</b>	Available Upon Request



### Ordering Options and Part Numbers

Description	Color	Part Number	Notes
Standard Pole Diameter Canister Mounting Kit	Natural (Stainless Steel)	MK-900829-0	For use with any Galtronics 10", 14.5" or 16" diameter canister antennas using 1" threaded bolt mounting
	Black (Pantone Black 6C)	MK-900829-1	
	Gray (RAL 7035)	MK-900829-3	
	Brown (Pantone 4625C)	MK-900829-34	