

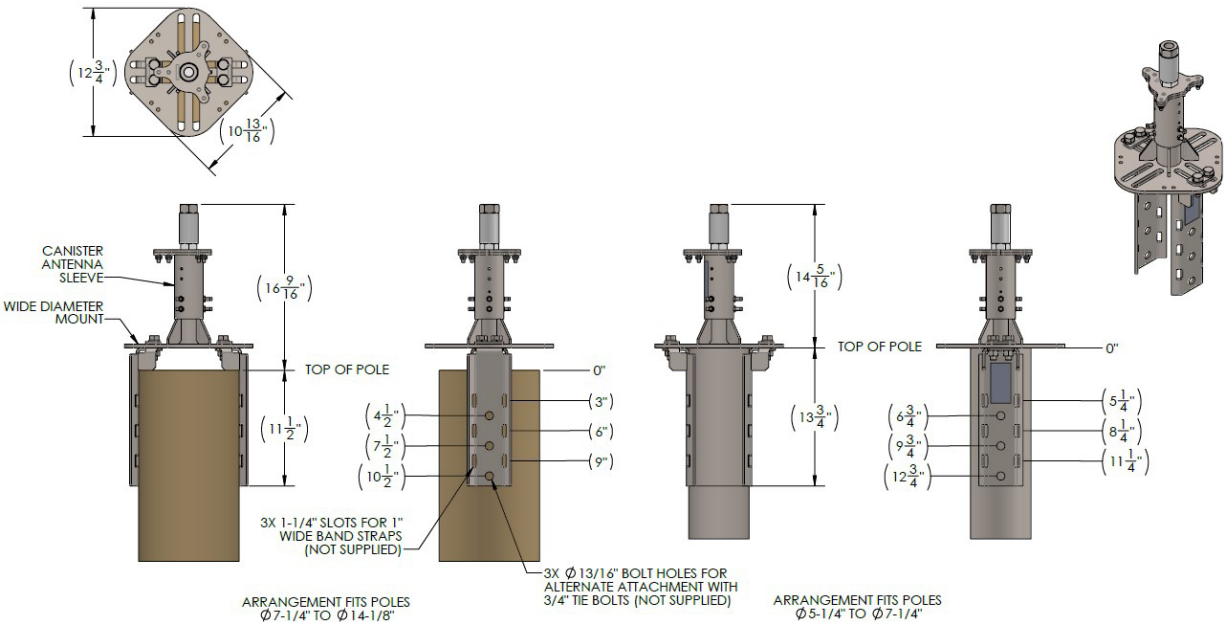
Wide Diameter Pole Canister Antenna Mounting Kit

MK-900828

The MK-900828 wide diameter pole top mounting bracket is suitable for use with all Galtronics 10", 14.5" & 16" diameter outdoor small cell canister antennas with 1" threaded bolt mounting. The MK-900828 can be assembled onto metal, wooden or concrete poles ranging from 5.25" (133.4 mm) to 14.125" (358.7 mm) diameter, and is constructed from weather resistant 304 grade stainless steel that resists external PIM generation. The MK-900828 is available in four color options to satisfy a variety of site aesthetic requirements.



Specifications:	
Environmental Conditions	Outdoor
Height	28.0625" (712.8 mm)
Width	12.75" (323.9 mm)
Pole Diameter - Minimum	5.25" (133.4 mm)
Pole Diameter - Maximum	14.125" (358.7 mm)
Material	304 Grade Stainless Steel
Colors	Natural, Black, Gray & Brown
Weight	31.1 lbs (14.1 kg)
Wind Survival Rating	150 mph (240 kmh)
Installation Guide	Available Upon Request



Ordering Options and Part Numbers

Description	Color	Part Number	Notes
Wide Pole Diameter Canister Mounting Kit	Natural (Stainless Steel)	MK-900828-0	For use with any Galtronics 10", 14.5" or 16" diameter canister antennas using 1" threaded bolt mounting
	Black (Pantone Black 6C)	MK-900828-1	
	Gray (RAL 7035)	MK-900828-3	
	Brown (Pantone 4625C)	MK-900828-34	