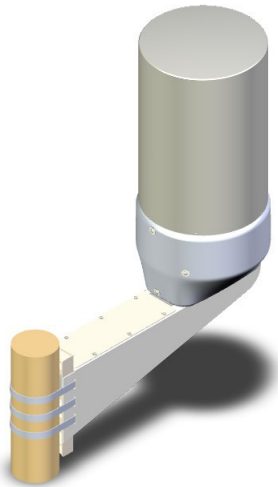


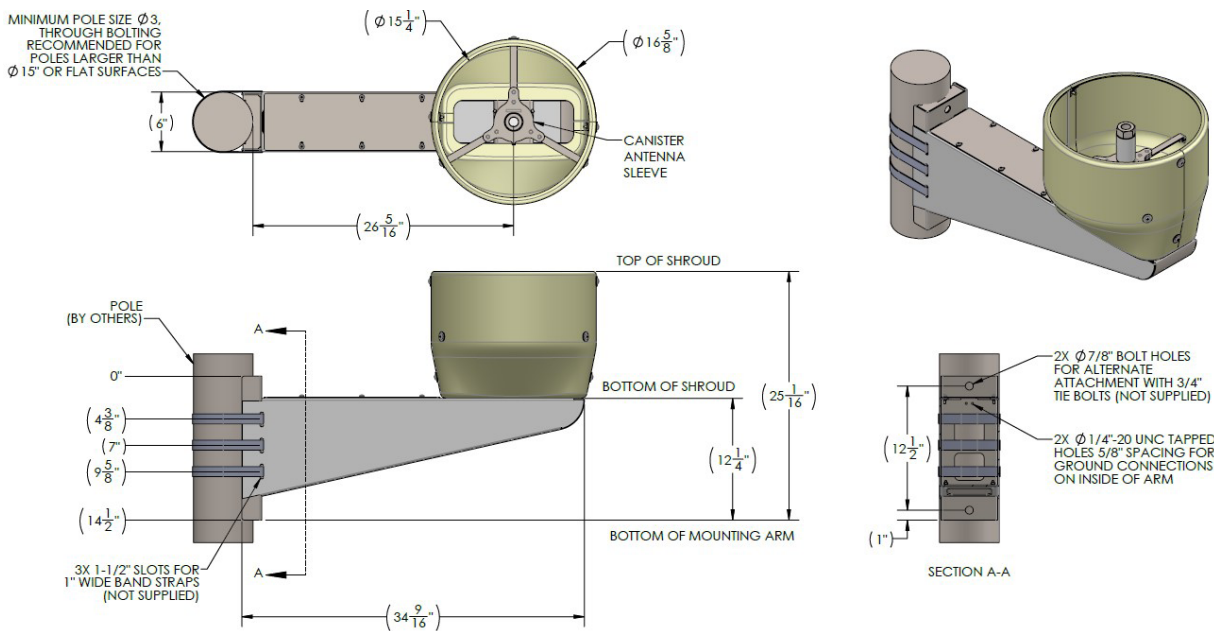
## 16" Canister Side Mount Concealment Shroud & Mounting Kit

### GS-900951

The GS-900951 side mount concealment shroud & mounting kit is suitable for use with all Galtronics 16" diameter outdoor small cell canister antennas with 1" threaded bolt mounting. The GS-900951 can be assembled onto metal, wooden or concrete poles ranging from 3.0" (76.2 mm) to the largest pole diameters of 14" or more, including flat wall surface mounting. The GS-900951 mounting bracket is constructed from weather resistant 304 grade stainless steel that resists external PIM generation, while the external shroud is constructed from heavy duty ABS plastic. The GS-900951 is available in three color options to satisfy a variety of site aesthetic requirements.



Specifications:	
Environmental Conditions	Outdoor
Height	25.063" (636.6 mm)
Width	16.625" (422.3 mm)
Depth	34.563" (877.9 mm)
Pole Diameter - Minimum	3.0" (76.2 mm)
Pole Diameter - Maximum	Infinite (Up to Flat Wall)
Material - Bracket	304 Grade Stainless Steel
Material - Shroud	ABS Plastic, 0.1875" Thick
Colors	Black, Gray & Brown
Weight	51.9 lbs (23.6 kg)
Wind Survival Rating	150 mph (240 kmh)
Installation Guide	Available Upon Request



### Ordering Options and Part Numbers

Description	Color	Part Number	Notes
16" Canister Side Mount Concealment Shroud & Mounting Kit	Black (Pantone Black 6C)	GS-900951-1	For use with any Galtronics 16" diameter canister antennas using 1" threaded bolt mounting
	Gray (RAL 7035)	GS-900951-3	
	Brown (Pantone 4625C)	GS-900951-34	