

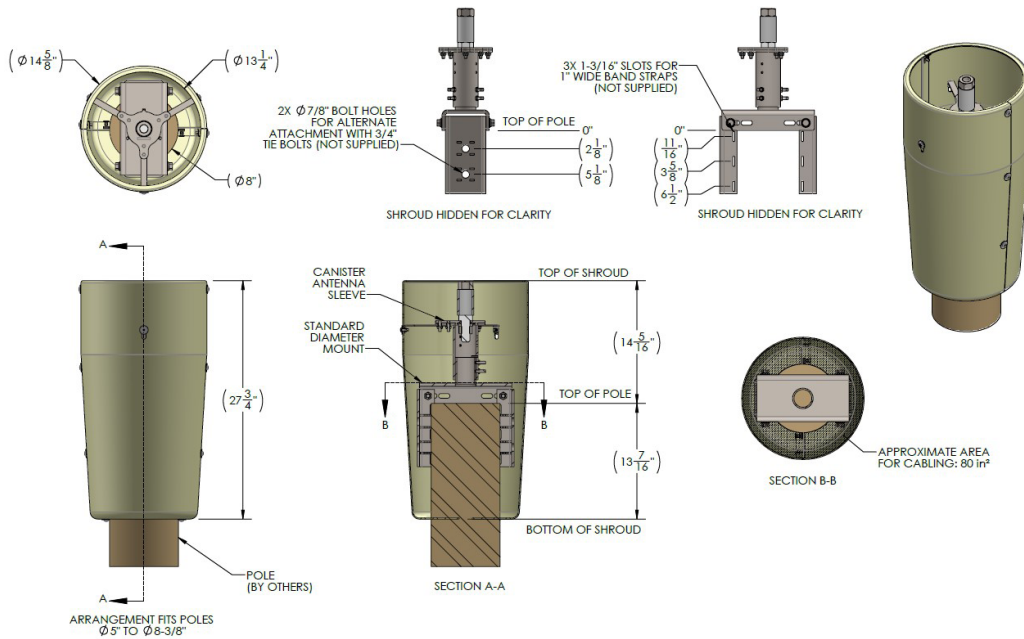
14.5" Canister Standard Pole Concealment Shroud & Mounting Kit

GS-900835

The GS-900835 standard pole, top mount concealment shroud & mounting kit is suitable for use with all Galtronics 14.5" diameter outdoor small cell canister antennas with 1" threaded bolt mounting. The GS-900835 can be assembled onto metal, wooden or concrete poles ranging from 5.0" (127 mm) to 8.375" (212.7 mm) diameter. The GS-900835 mounting bracket is constructed from weather resistant 304 grade stainless steel that resists external PIM generation, while the external shroud is constructed from heavy duty ABS plastic. The GS-900835 is available in three color options to satisfy a variety of site aesthetic requirements.



Specifications:	
Environmental Conditions	Outdoor
Height	27.75" (704.9 mm)
Width	14.625" (371.5 mm)
Pole Diameter - Minimum	5.0" (127 mm)
Pole Diameter - Maximum	8.375" (212.7 mm)
Material - Bracket	304 Grade Stainless Steel
Material - Shroud	ABS Plastic, 0.1875" Thick
Jumper Cable Access	80 sq. inches (approximate)
Colors	Black, Gray & Brown
Weight	37.3 lbs (17.0 kg)
Wind Survival Rating	150 mph (240 kmh)
Installation Guide	Available Upon Request



Ordering Options and Part Numbers

Description	Color	Part Number	Notes
14.5" Canister Std. Pole Concealment Shroud & Mounting Kit	Black (Pantone Black 6C)	GS-900835-1	For use with any Galtronics 14.5" diameter canister antennas using 1" threaded bolt mounting
	Gray (RAL 7035)	GS-900835-3	
	Brown (Pantone 4625C)	GS-900835-34	