

Mounting Bracket

For Outdoor DAS Antenna Installation

DESCRIPTION:

This steel mounting bracket is suitable for outdoor DAS antennas, and can be assembled onto wall and poles ranging from $\varnothing 1.5"$ ($\varnothing 38.1\text{mm}$) to $\varnothing 4"$ ($\varnothing 101.6\text{mm}$).

Specifications	
Model Number	MK-07305
Environmental Conditions	Outdoor
Weight	6.0lbs (2.73kg)
Dimensions	L 11.3" X H 7.1" X W 7.0" (288.0mm X 180.0mm X 176.9mm)
Material	Steel
Wind Speed Resistance	150mph (240kmh)
Pole Diameter Range	$\varnothing 1.5"$ (38.1mm) to $\varnothing 4"$ (100mm)
Mounting Style	Pole Mount and Wall Mount
Mounting Hardware to Antenna	Supplied with Bracket
Mounting Hardware to Pole	Supplied with Bracket
Mounting Hardware to Wall	Partially supplied with Bracket

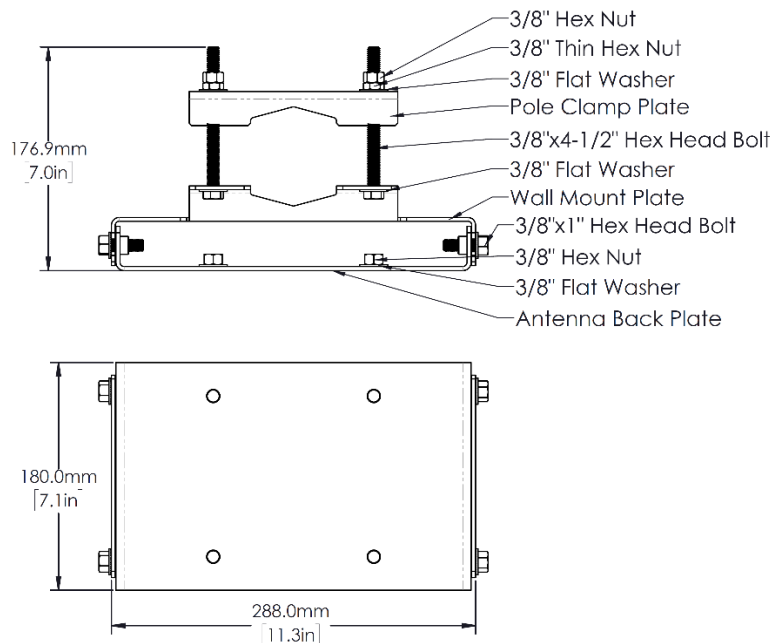


Figure 1. Mounting Bracket

Copyright © 2020 – Galtronics Canada Ltd.

Proprietary Information. All rights reserved. Galtronics reserves the right to modify or amend any antenna or specification without prior notice.

Assembly instructions

Step 1 – Mounting Bracket

The bracket can be mounted to a pole or a wall.

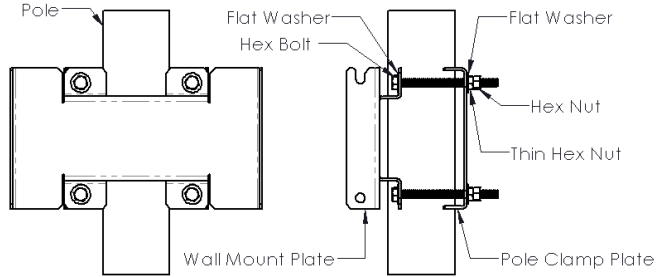


Figure 2. Pole Mount

For pole mounting, the bracket is mounted to the pole using the pole clamp plate (Figure 2. Pole Mount)

The hardware required for pole mount is shown in Table 1.

Table 1

Mounting Hardware to Pole	
QTY	DESCRIPTION
1	Wall Mount Plate
1	Pole Clamp Plate
4	3/8"x4-1/2" Hex Head Bolt
8	3/8" Flat Washer
4	3/8" Hex Nut
4	3/8" Thin Hex Nut

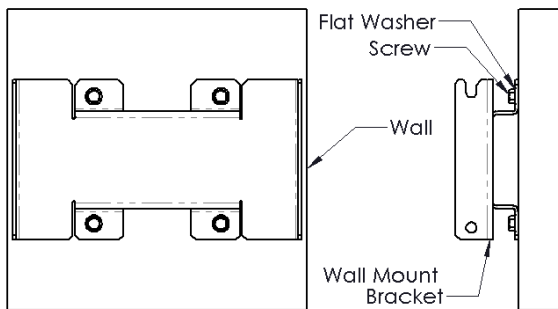


Figure 3. Wall Mount

For wall mounting, the pole clamp plate is not used.

The hardware required for wall mount is shown in Table 2.

Table 2

Mounting Hardware to Wall	
QTY	DESCRIPTION
4	3/8" Wall Mount Screw
1	Wall Mount Plate
4	3/8" Flat Washer

Notes:
1. Only wall mount plate is included in this mounting kit.

Step 2 – Antenna Back Plate

Fasten the Antenna Back Plate to the antenna using parts listed in Table 3. Torque to 17 ft·lbf, and use a thread lubricant to prevent seizing.

Table 3

Mounting Antenna Back Plate to Antenna	
QTY	DESCRIPTION
4	3/8" Hex Nut
4	3/8" Flat Washer
1	Antenna Back Plate

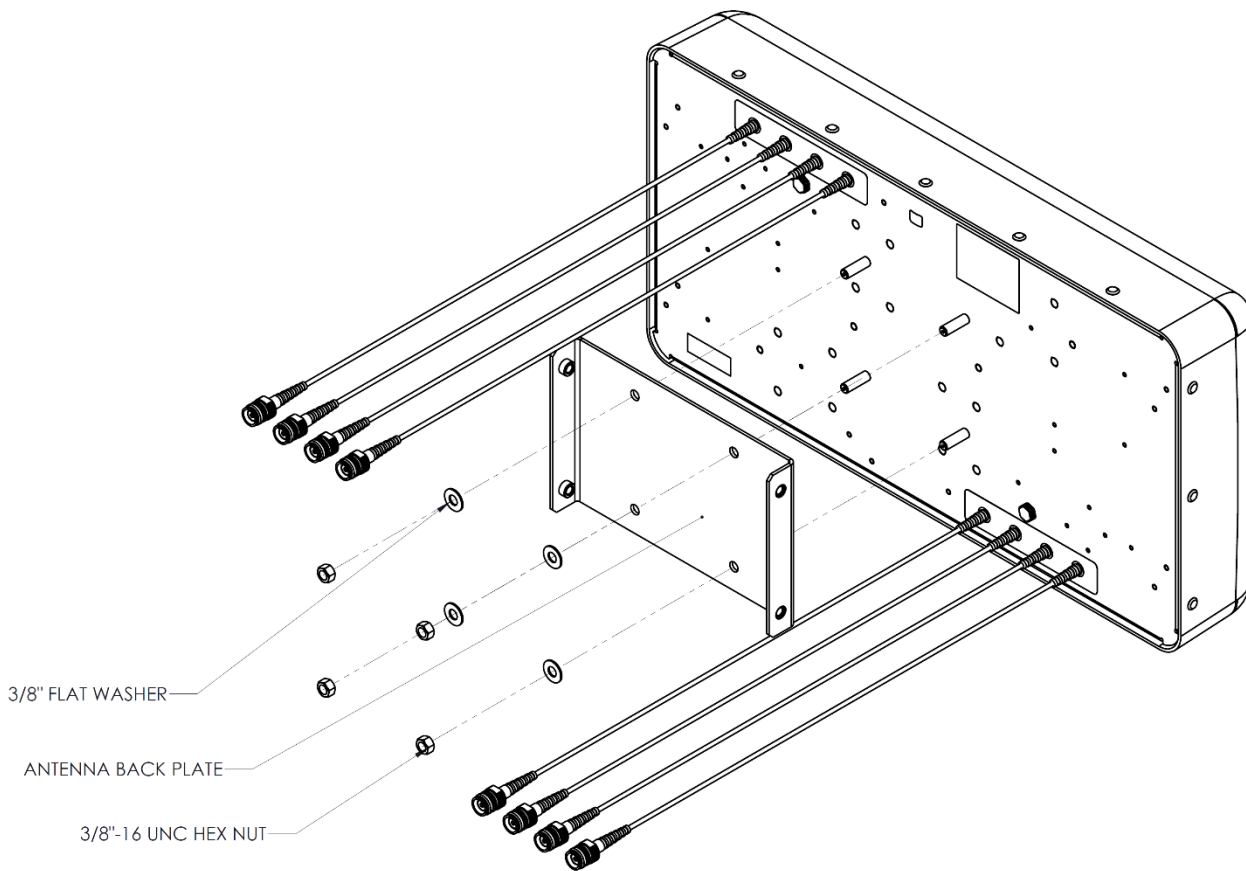


Figure 4. Antenna Back Plate

Step 3 – Mounting Antenna to Mounting Bracket

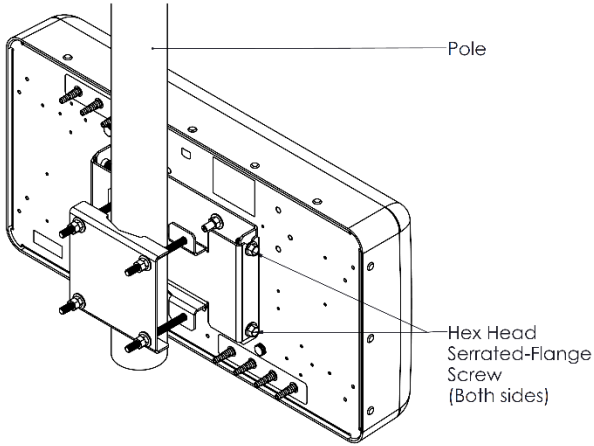


Figure 5

Attach the antenna onto the wall mount bracket using hex head serrated-flange screws as shown in Figure 5 and Figure 6.

Apply a thread lubricant to prevent seizing, and torque to 17 ft·lbf.

Table 4

Mounting Hardware to Antenna	
QTY	DESCRIPTION
4	3/8"x1 Hex Head Serrated-Flange Screw

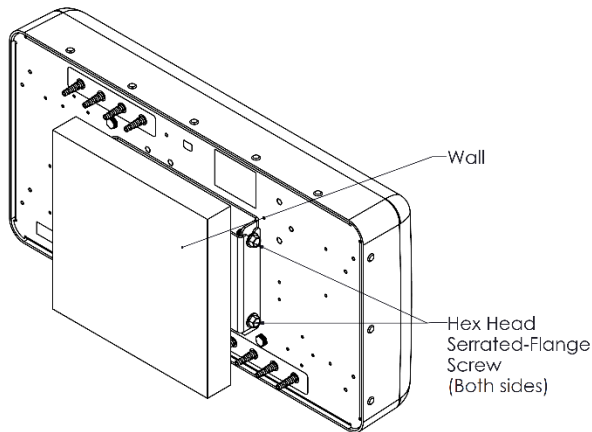


Figure 6