

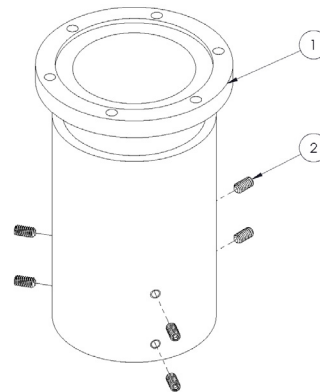
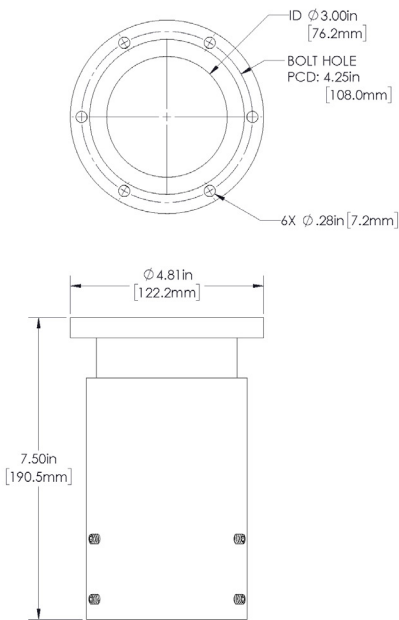
MK-06840 Stubby Top Mount Bracket

This is Galtronics' most compact top-mount Whip Antenna bracket. By itself, it is suitable for mounting 2-port and 4-port Whip Antennas. For mounting 6-port antennas, it must be combined with the MK-06766 spacer collar.



Top Mount Bracket, Stubby

Specifications:	
Environmental Conditions	Outdoor
Weight	4.0 lbs (1.8 kg)
Height	7.5" (190.5 mm)
Outside Diameter	4.8" (122.2 mm)
Material	Aluminum
Wind Survival Rating	150 mph (240 kmh)



Parts List:		
ITEM NO.	QTY.	DESCRIPTION
1	1	BRACKET, WHIP ANTENNA, POLE TOP
2	6	SET SCREW, 1/4"-20 UNC, .5" L, 18-8 SS

Ordering Options and Part Numbers

Description:	Color	Part Number:	Notes
Top Mount Bracket, Stubby	Gray/Silver (26373, Fed Std 595)	MK-06840-01	- For use with top mount whips - 6-port whips also require MK-06766
Top Mount Bracket, Stubby	Black (27038, Fed Std 595)	MK-06840-02	- For use with top mount whips - 6-port whips also require MK-06766

Document Number: A90-00020 ; Revision: R1 ; Release Date: January 04, 2019