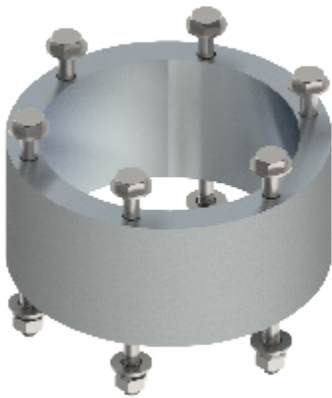


## Galtronics Whip Antenna Accessories

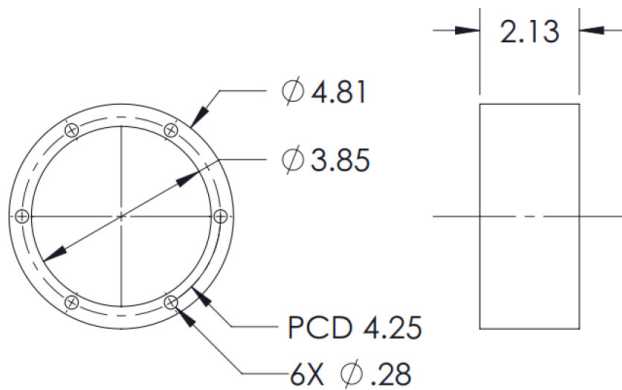
# MK-06766 Spacer Collar

2-port and 4-port Whip Antennas are often mounted directly onto brackets similar to MK-6840. However, when replacing these antennas with Galtronics' 6-port Whip Antennas, more space is required. The MK-06766 spacer collar accomplishes this by raising the antenna and creating a larger cavity underneath to accommodate the additional connectors and weather proofing.



Spacer Collar

<b>Specifications:</b>	
<b>Environmental Conditions</b>	Outdoor
<b>Weight</b>	1.7 lbs (0.78 kg)
<b>Height</b>	2.13" / 54.1mm
<b>Outside Diameter</b>	4.8" / 122 mm
<b>Material</b>	Aluminum
<b>Wind Survival Rating</b>	150 mph (240 kmh)



<b>Parts List:</b>		
ITEM NO.	QTY.	DESCRIPTION
1	1	Spacer Collar
2	6	Hex Bolt, 1/4-20 UNC, 3 3/4" long, SS
3	12	Flat Washer, for 1/4" bolt, SS
4	6	Spring Lock Washer, for 1/4" bolt, SS
5	6	Hex Nut, 1/4-20 UNC, SS

### Ordering Options and Part Numbers

Description:	Color	Part Number:	Notes
Spacer Collar	Gray/Silver (26373, Fed Std 595)	MK-06766-01	- For use with top mount whips - Included with 6-port whip antenna ordering options *-612 - Can be purchased separately.
Spacer Collar	Black (27038, Fed Std 595)	MK-06766-02	- For use with top mount whips - Included with 6-port whip antenna ordering options *-622 - Can be purchased separately.