

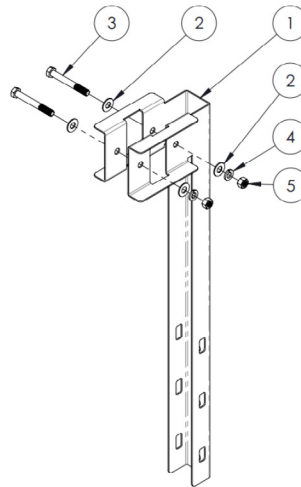
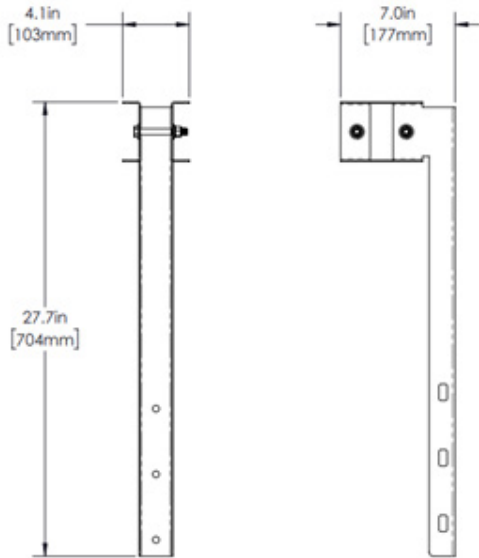
MK-06696 Side Mount Bracket

This steel mounting bracket is suitable for outdoor Whip antennas with Ø2.4" connector housing, and is recommended for assembly onto poles ranging from 4" (101mm) to 8"(203mm) diameter.



Side Mount Bracket

Specifications:	
Environmental Conditions	Outdoor
Weight	4.1 lbs (1.9 kg)
Dimensions (LxHxW)	7.0" X 27.7" X 4.1" (177mm X 704mm X 103mm)
Pole Diameter Range	4" (101mm) to 8" (203mm)
Material	Steel
Wind Survival Rating	150 mph (240 kmh)
Mounting Hardware to Antenna	Supplied with Bracket
Mounting Hardware to Pole	Not Supplied with Bracket



Parts List:		
ITEM NO.	QTY.	DESCRIPTION
1	1	Bracket
2	4	3/8" Flat Washer, SS
3	2	3/8"-16 UNC x 3" Hex Bolt, SS
4	2	3/8" Spring Lock Washer, SS
5	2	3/8"-16 UNC Hex Nut, SS

Ordering Options and Part Numbers			
Description:	Color	Part Number:	Notes
Side Mount Bracket	Natural (Zinc plated steel)	MK-06696	- For use with side mount whips - Included with 6-port whip antenna ordering options *-112 - Can be purchased separately.