



Mounting Bracket

For Outdoor Base Station Panel Antennas

DESCRIPTION:

This steel mounting bracket is suitable for all Galtronics outdoor Base Station Panel antennas 4' height and above, and can be assembled onto poles ranging from Ø3" (Ø76.2 mm) to Ø5" (Ø127 mm).

Specifications	
Model Number	MK-06807
Environmental Conditions	Outdoor
Weight	14.0 lbs (6.36 Kg)
Dimensions (LxHxW)	11.34" x 6.30" x 6.81" (288.0mm x 160.0mm x 172.9mm)
Material	Galvanized Steel
Wind Speed Resistance	150mph (240kmh)
Pole Diameter Range	Ø3" (Ø76.2mm) to Ø5" (Ø127mm)
Mounting Style	Pole Mount
Mounting Hardware to Antenna	Supplied with Bracket
Mounting Hardware to Pole without Tilt	Supplied with Bracket
Mounting Hardware to Pole with Tilt	Supplied with Bracket
Mounting Hardware to Wall	Partially supplied with Bracket
Down Tilt Range	0° to 10°

MK-06807 Release Date: 19-SEP-2019; Revision: R2

COMPATIBLE ANTENNA MODELS* GALTRONICS 4' and ABOVE WITH BASE STATION ANTENNAS

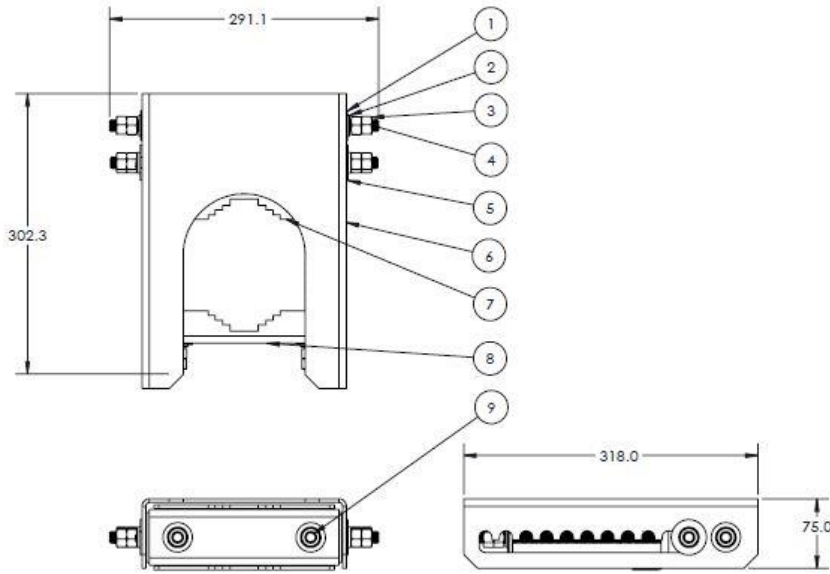


Figure 1. TOP & SIDE View of TOP Mounting Bracket

Table 1		
Top Mounting Hardware to Pole with Tilt		
Item	QTY	DESCRIPTION
1	10	1/2" Flat Washer
2	6	1/2" Split Lock Washer
3	12	1/2" Hex Nut
4	4	1/2" – 13X1-3/4" Hex Bolt
5	2	1/2" X 1.5 OD Flat Washer
6	1	Top Mount Bracket Index
7	1	Top Front Side Bracket
8	1	Rear Side Bracket
9	2	1/2" - 13X8" Hex Bolt

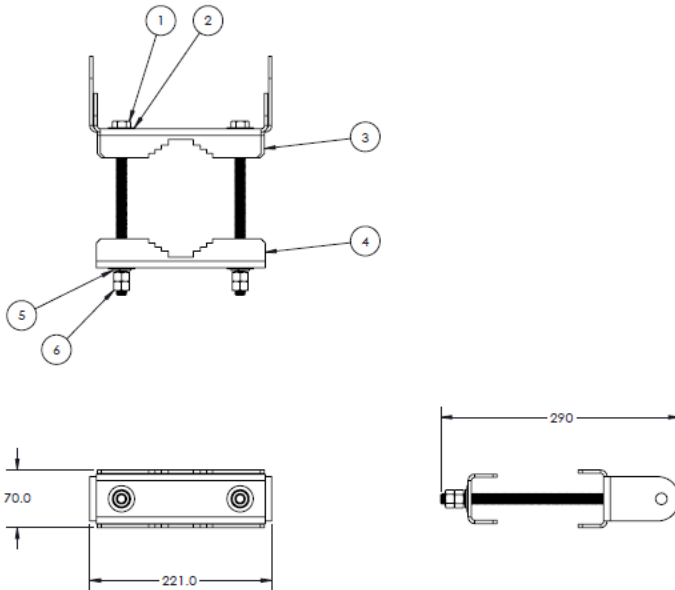


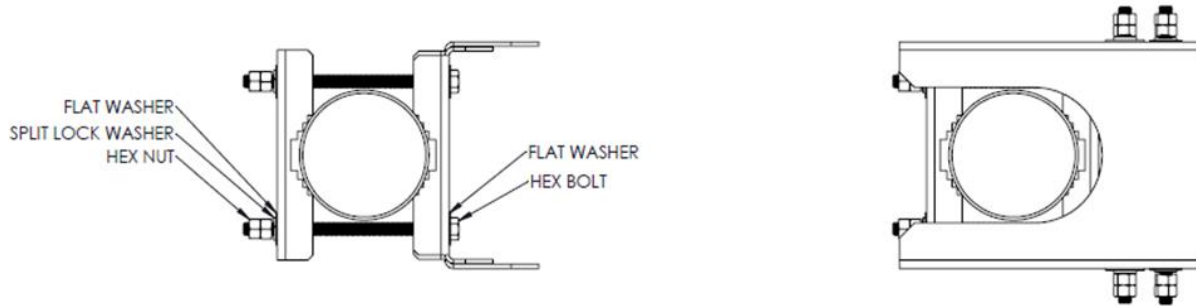
Figure 2. TOP & SIDE View of BOTTOM Mounting Bracket

Table 2		
Mounting Hardware to Pole without Tilt		
Item	QTY	DESCRIPTION
1	2	1/2" X 13X8" Hex Bolt
2	6	1/2" Flat Washer
3	1	Bottom Front Side Bracket
4	1	Rear Side Bracket
5	4	1/2" Split Lock Washer
6	4	1/2" Hex Nut

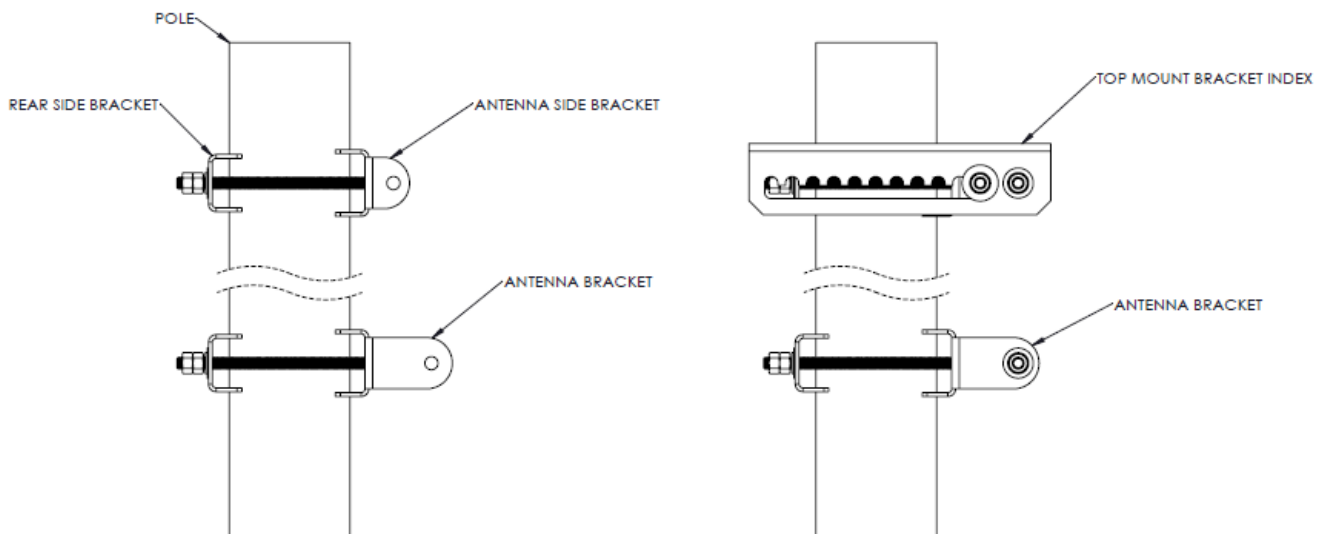
MK-06807 Release Date: 19-SEP-2019; Revision: R2

Assembly instructions

Step 1 – Mounting Bracket TOP VIEW



Step 2 – Mounting Bracket SIDE VIEW



For pole mounting both top and bottom brackets are required

Step 3 – Mounting Antenna

Attach the antenna onto the pole mounted bracket using the 1/2 " - 13 X 1 - 3/4" hex head.

Apply a thread lubricant and tighten the Hex Nuts to proper torques (40 ft/lb).

ASSEMBLY DWG;

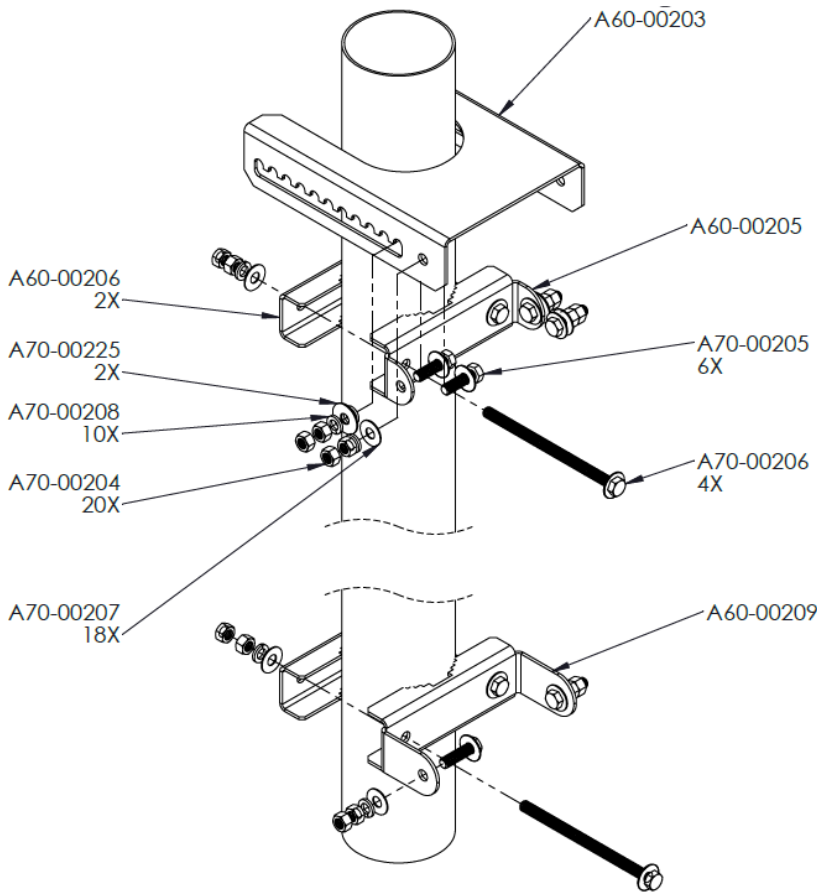


Table 3			
Assembly Drawing			
ITEM NO.	PART NO.	QTY	DESCRIPTION
1	A60-00203	1	BRACKET, TOP MOUNT, INDEX, MK-6807
2	A60-00205	1	BRACKET, TOP MOUNT, SIDE MOUNT, MK-6807
3	A60-00206	2	BRACKET, REAR SIDE MOUNT, MK-6807
4	A60-00209	1	BRACKET, FRONT SIDE MOUNT, MK-6807
5	A70-00204	20	NUT, HEX, 1/2" -13 UNC,
6	A70-00205	6	SCREW, HEX HEAD, 1/2"-13 UNC, 1-3/4" L, 18-8 SS
7	A70-00206	4	SCREW, HEX HEAD, 1/2"-13 UNC, 8" L, 18-8 SS
8	A70-00207	18	WASHER, FLAT, 1/2" SCREW, 18-8 SS
9	A70-00208	10	WASHER, SPLIT LOCK, 1/2" SCREW, 18-8 SS
10	A70-00225	2	WASHER, FLAT, 1/2" SCREW, 1.5" OD, 18-8 SS

MK-06807 Release Date: 19-SEP-2019; Revision: R2