

2' 8-Port Dual-Band 65° Base Station Antenna [617-896 and 1695-2690 MHz]

GP2408-06789

Description:

- Single-sector 8-Port MIMO antenna for Base Station, Small Cell and Outdoor DAS applications.
- 65° beam width dual-polarized covering 600 MHz/LTE/CELL and AWS/PCS/WCS/BRS Bands.
- 4x ports for 617-896 MHz
- 4x ports for 1695-2690 MHz with Manual Electrical Tilt (MET)



8-Port 617-896 and 1695-2690 MHz
Dual-Band Directional Panel Antenna

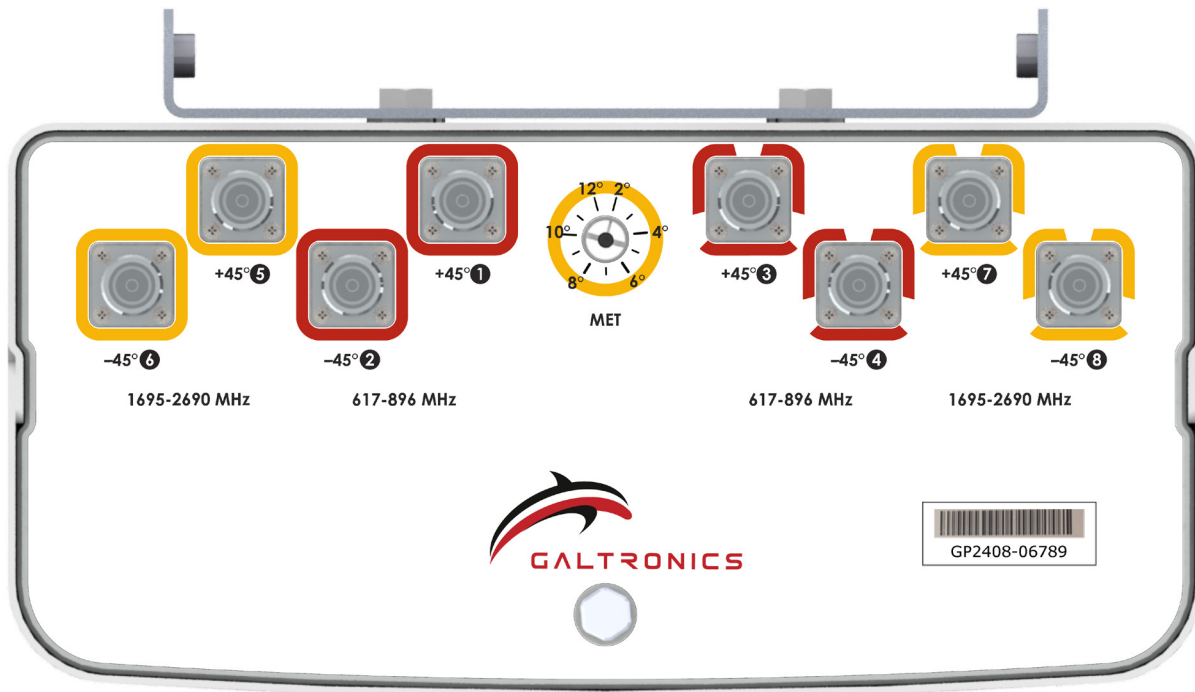
Electrical Specifications

Frequency Band [MHz]	617-698	698-806	806-896	1695-2180	2300-2400	2496-2690
Input Connector Type	4x 4.3-10(F)			4x 4.3-10(F)		
Polarization	Dual slant 45° (±45°)					
Horizontal Beamwidth	71°	71°	65°	66°	67°	62°
Vertical Beamwidth	76.8°	72.0°	60.1°	15.1°	11.6°	10.7°
Electrical Tilt	0° Fixed			2° - 12° MET		
Gain (max.)	8.6 dBi	8.8 dBi	9.3 dBi	14.2 dBi	14.8 dBi	15.6 dBi
Gain (avg.)	7.7 dBi	8.1 dBi	8.7 dBi	13.2 dBi	13.9 dBi	14.2 dBi
Front-to-Back Ratio, 180°	28 dB	30 dB	30 dB	28 dB	28 dB	25 dB
XPOL Discrimination @ 0°	18 dB	20 dB	20 dB	20 dB	20 dB	25 dB
VSWR/RL	1.5:1 / 14.0 dB					
Port-to-Port Isolation	20 dB					
PIM @ 2x43 dBm	<-153 dBc					
Max Power / Port	100 Watts			100 Watts		
Impedance	50 Ω					

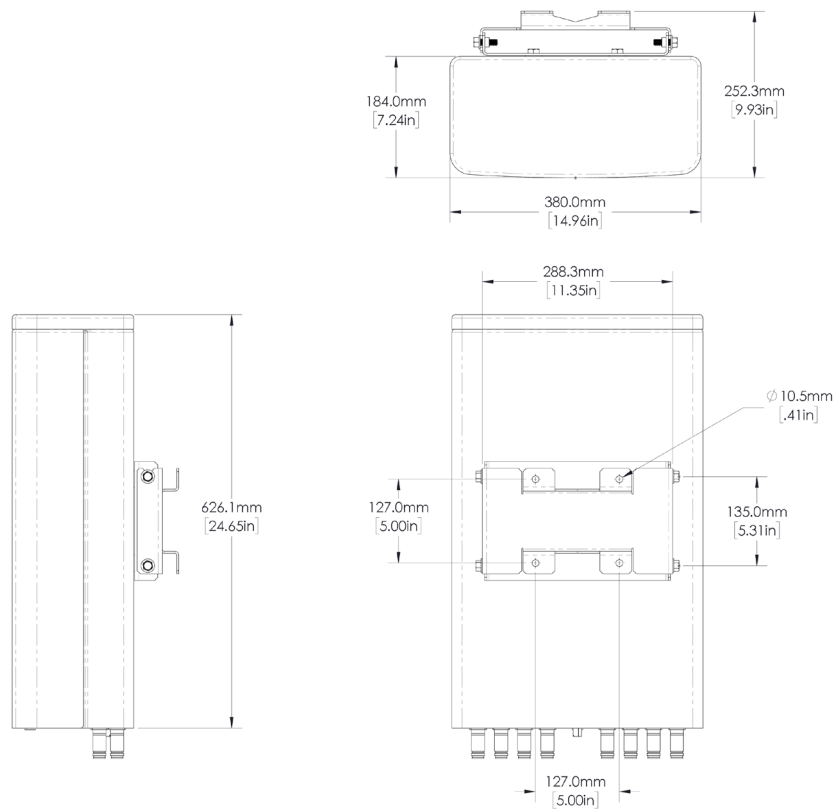
Mechanical Specifications

Operating Temperature	-40° to 158°F (-40° to +70°C)
Antenna Weight	17.5 lbs (8 kg)
Antenna Dimension (Height x Width x Depth)	24.7" (626 mm) x 15.0" (380 mm) x 7.2" (184 mm)
Radome Material	ASA
RoHS	Compliant
Radome Color	Gray
Ingress Protection	Outdoor (IP65)
Wind Survival Rating	150 mph (241 km/h)

Bottom Plate with Port Labels



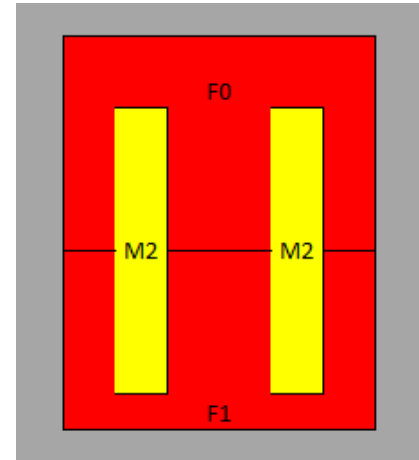
Antenna Outline



RFD#06789 ; Revision: R1 ; Release Date: July 15, 2019;

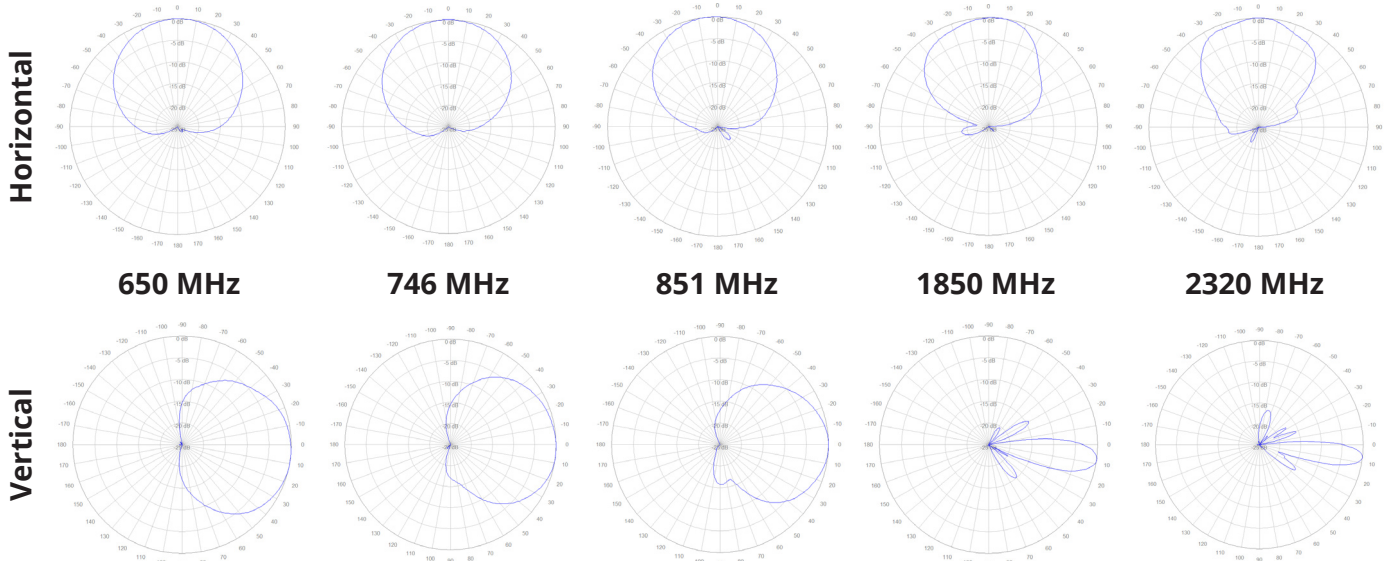
MET Designator

Frequency Range	MET Designator	Ports	Electrical Tilt
617-896 MHz	F0	1-2	0° Fixed
617-896 MHz	F1	3-4	0° Fixed
1695-2690 MHz	M2	5-6, 7-8	2° - 12° MET




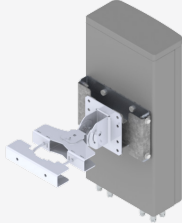
View from behind the antenna

Antenna Patterns



RFD#06789 ; Revision: R1 ; Release Date: July 15, 2019;

Part Numbers, Ordering Options and Accessories

Description	Part Number:
Antenna with 8x 4.3-10(F) Connectors, Gray (Including MK-06853 Wall/Pole Mounting Bracket)	GP2408-06789-112
Mounting Brackets:	Part Number:
<p>Heavy Duty Mounting Bracket (wind speed of 150 mph) [Included]</p> <p>This standard mounting bracket offers an easy installation solution to mount the antenna to either a horizontal or a vertical pole.</p>	 <p>MK-06853</p>
<p>Heavy Duty Mounting Bracket (wind speed of 150 mph) [Optional]</p> <p>This optional mounting bracket offers an easy installation solution to mount the antenna to either a horizontal or a vertical pole.</p>	 <p>62-45-09</p>

Matting Connector Torque:

4.3-10: 3.7 ft-lb (5 Nm)