

## MK-06948 Side Mount Bracket for Galtronics Small Cell Canister Antennas

### MK-06948 Side Mount Bracket

For all Galtronics Small Cell 10" or 14" diameter canister antennas with 1" threaded bolt mounting

The MK-06948 side mount bracket is suitable for use with all Galtronics 10" and 14" diameter outdoor small cell canister antennas with 1" threaded bolt mounting. The MK-06948 can be assembled onto flat surfaces, metal, concrete and wood poles ranging from Ø6" (Ø152.4mm) to Ø13" (Ø330.2mm).

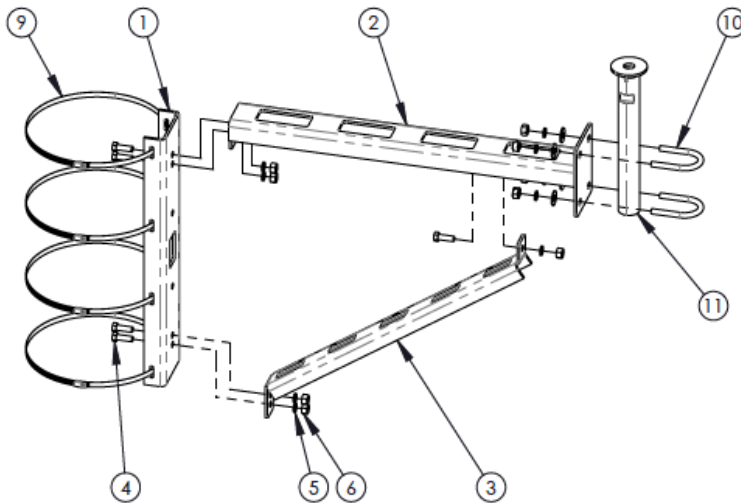


Specifications	
<b>Model Number</b>	MK-06948
<b>Mounting Types</b>	Pole or Wall Mount
<b>Color</b>	Gray or Brown
<b>Material</b>	Galvanized Steel
<b>Environmental Conditions</b>	Outdoor
<b>Vertical Load Rating / Installed Antenna &amp; accessories Weight (max.)</b>	250 lbs
<b>Horizontal Load Rating / Side Wind Load (max.)</b>	250 lbs (representing 150 mph wind load* on antenna + accessories)
<b>Wind Speed Resistance*</b>	150mph (240kmh)
<b>Mounting Bracket Weight</b>	58lbs (26.4kg)
<b>Dimensions (excluding MK-06678 rod adapter)</b>	L 35.3125" X W 5.5" X H 26.125" (973.14mm X 139.7mm X 663.58mm)
<b>Pole Diameter Range</b>	Ø6" to Ø8" (152.4 to 203.2mm) Metal/Concrete Poles Ø8" to Ø13" (203.2 to 330.2mm) Wood Poles
<b>Mounting Hardware to Pole (metal or wood)</b>	Supplied with Bracket
<b>Mounting Hardware to Wall</b>	Not included
<b>Antenna Model Applicability</b>	All Galtronics oDAS Cannister antennas upto 16"OD x 48"H (406.4mm x 1219.2mm)

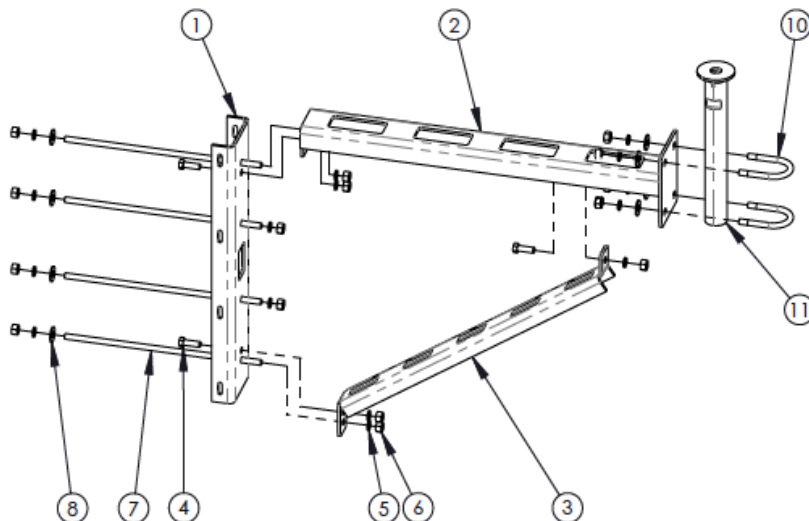
### MK-06948 Mounting Kit Contents

ITEM#	PN#	DESCRIPTION	QTY (Thru-Bolt Installation)	QTY (Clamp Installation)
1	AT-MP-SMB-1	Mounting Bracket	1	1
2	AT-MP-SMB-2	Standoff Weldment	1	1
3	AT-MP-SMB-3	Kicker Brace	1	1
4	BG-12-150	Ø1/2" GALV. BOLT A307	3	5
5	WLG-12	Ø1/2" GALV. LOCK WASHER	11	5
6	NG-12	Ø1/2" GALV. NUT	11	5
7	TRG-12-18	Galvanized Threaded Rod	4	-
8	WFG-12	Ø1/2" GALV. FLAT WASHER	4	-
9	HC-68-H	Stainless Worm Drive Hose Clamps	-	4
10	UB-12-212-4	Ø1/2" x 2 1/2" GALV. U-BOLT ASSY	2	2
11	AT-WP-OMNI-GALT-1	1" Rod Adapter for the Antenna	1	1

### Clamp Installation (For Metal/Concrete Poles)



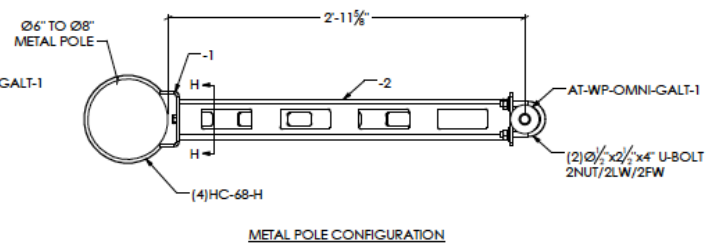
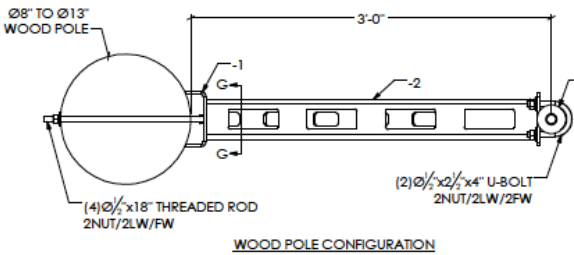
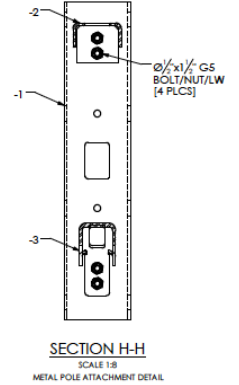
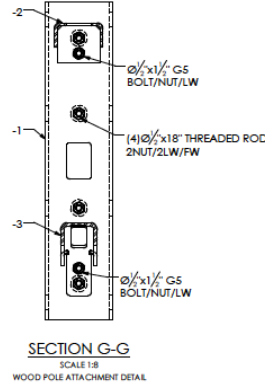
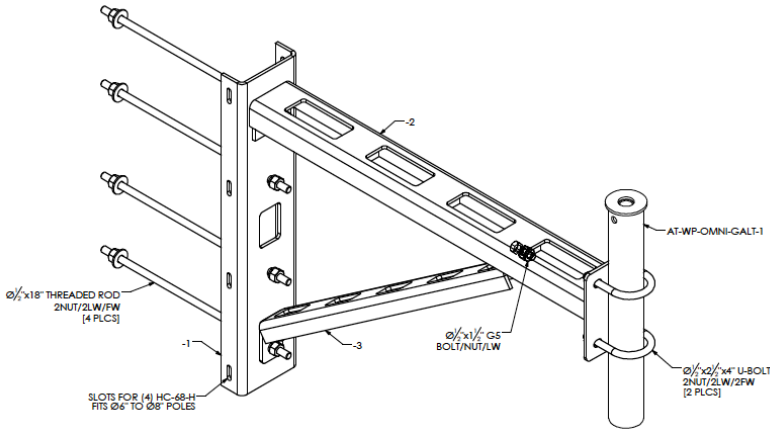
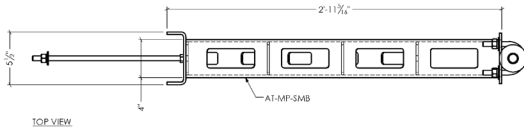
### Thru-Bolt Installation (For Wood Poles)



Copyright © 2019- Galtronics Corporation Ltd.

Proprietary Information. All rights reserved. Galtronics reserves the right to modify or amend any antenna or specification without prior notice.

## Outline Dimensions



### MK-06984 Bracket Dimensions

#### Ordering Options & Part Numbers

Description	Part Number
Side Mount Bracket, Silver/Gray (Galvanized) Finish, Includes 1" Rod Adapter	MK-06948-1
Side Mount Bracket, Brown (Powder Coat) Finish, Includes 1" Rod Adapter	MK-06948-2

Please contact Galtronics Customer Support ([customersupport@galtronics.com](mailto:customersupport@galtronics.com) ; 480-663-3113) for any additional canister models you might be interested.