

## 36"x2" 4-Port Outdoor Whip Antenna [2496-2690 MHz]

# GO3604-06931

### Description:

- Outdoor Whip Antenna for DAS and Small Cells
- 4 x ports for BRS Band 2496-2690 MHz
- Cross Polarized elements allow for exceptionally small size, only 0.066 cu. ft.
- IP65 outdoor environment capable



2496-2690 MHz 4-Port  
Outdoor Omni Whip Antenna

### Electrical Specifications

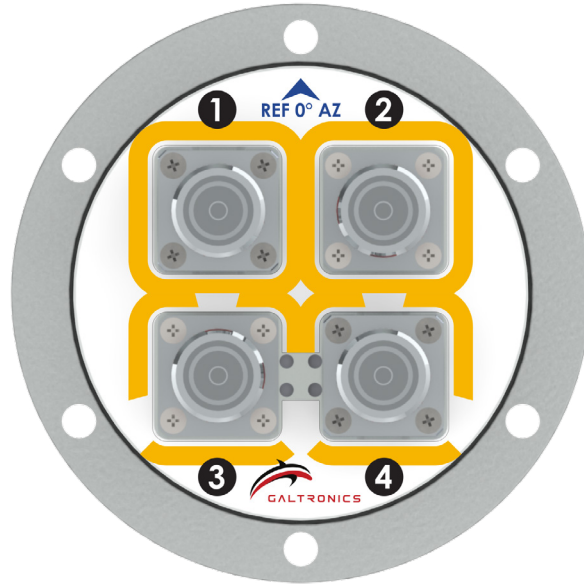
Frequency Band [MHz]	2496-2690
Input Connector Type	4x 4.3-10 (F)
Port to Port Isolation (min.)	25 dB
VSWR (max.) / RL (min.)	1.5:1 / 14.0 dB
Impedance	50 Ω
Polarization	Dual Slant 45° (± 45°)
Horizontal Beamwidth	Omni (360°)
Vertical Beamwidth	20.1°
Gain (max.)	8.9 dBi
Gain (avg.)	8.0 dBi
Downtilt	9° fixed
Max Power / Port	50 Watts
PIM @ 2x43 dBm	<-153 dBc

### Mechanical Specifications

Operating Temperature	-40° to 158°F (-40° to +70°C)
Antenna Weight	4.0 lbs (1.8 Kg)
Antenna Diameter	2" (51 mm)
Antenna Height	35.4" (900 mm)
Radome Material	Fibreglass / PC-ASA
Radome Color	Gray/Silver (Fed Std 595)
Ingress Protection	Outdoor (IP65)
Wind Survival Rating	150 mph (241 km/h)

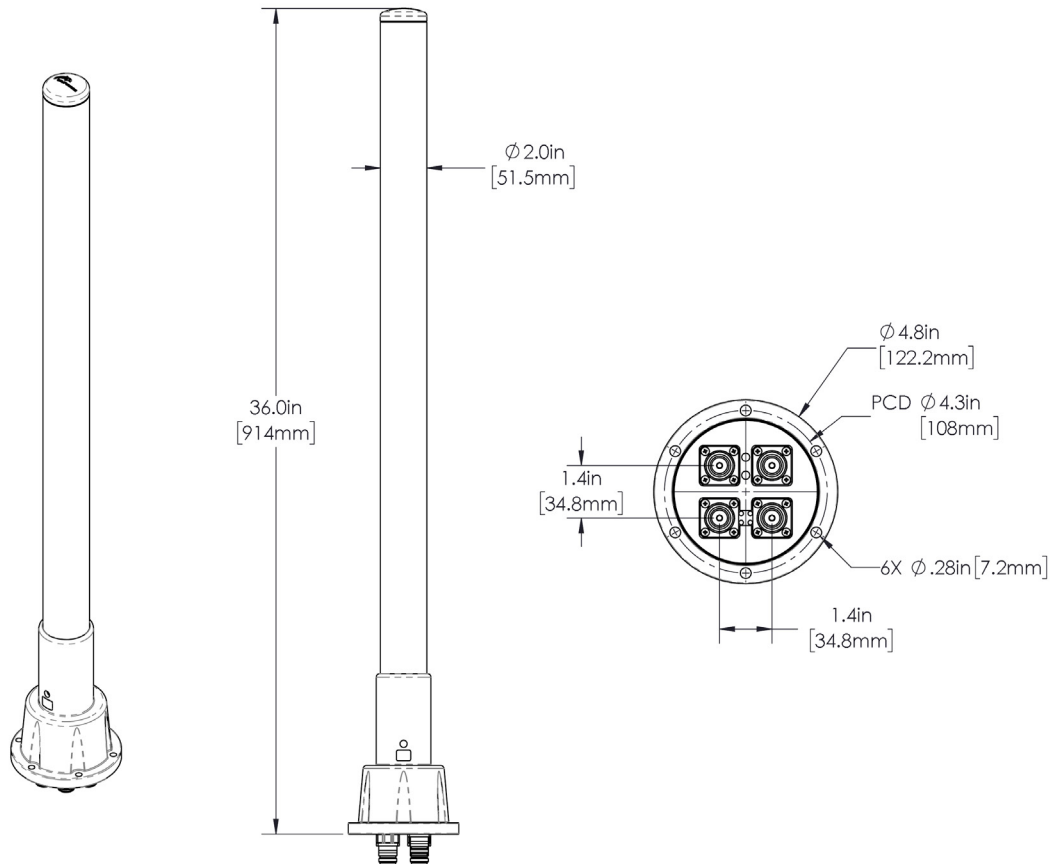
**Additional Technical Information**

# Bottom View



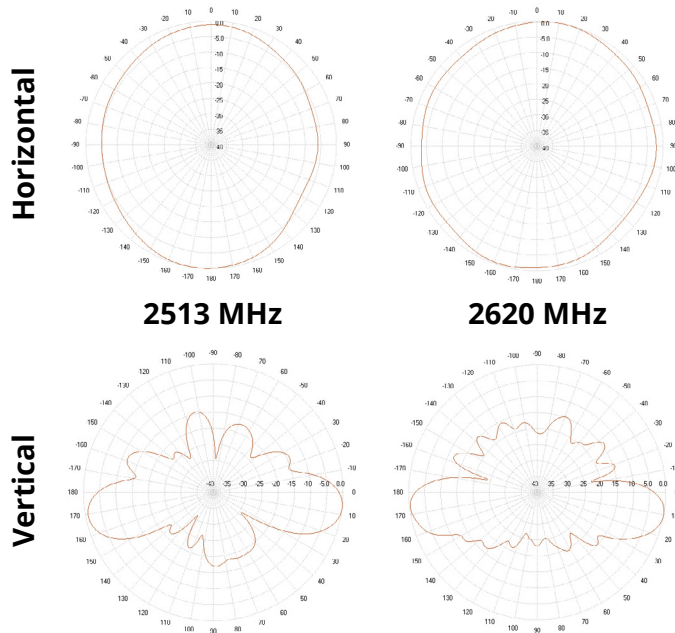
**Mating Connector Torque:**  
4.3-10: 3.7 ft-lb ( 5 Nm)

# Dimensions



RFD#06931 ; Revision: R1 ; Release Date: January 30, 2019;


## Antenna Patterns



## Part Numbers, Ordering Options and Accessories

Description:	Connectors	Color	Included Accessories	Part Number:
Whip Antenna - Top-Mount	4x 4.3-10(F)	Gray/Silver (Fed Std 595, 26373)	MK-06766 Spacer Collar	GO3604-06931-112
Whip Antenna - Side-Mount	4x 4.3-10(F)	Brown (Fed Std 595, 10049)	MK-06696 Side Mount Bracket	GO3604-06931-612

## Mounting Kit and Accessories Part Number

Description:	Part Number:
<b>Antenna Spacer Collar</b> (Included with GO3604-06931-112)	 MK-06766
<b>Stubby Top Mount Bracket</b>	 MK-06840 <b>(Sold Separately)</b>
<b>Extended Top Mount Bracket</b>	 MK-06841 <b>(Sold Separately)</b>
<b>Side Mount Bracket</b> (Included with GO3604-06931-612)	 MK-06696 Side Mount Kit 
<b>Low Power 50 Ohm Termination Load</b>	 TL-06816-102 <b>(Sold Separately)</b>

RFD#06931 ; Revision: R1 ; Release Date: January 30, 2019;