



## Mounting Bracket

For Outdoor Small Cell Antenna Installation

### DESCRIPTION:

This steel mounting bracket is suitable for outdoor small cell antennas, and can be assembled onto wall and poles ranging from Ø1.5" (Ø38.1mm) to Ø4" (Ø101.6mm).

Specifications	
Model Number	MK-06853
Environmental Conditions	Outdoor
Weight	4.83lbs (2.19kg)
Dimensions	L 11.34" X H 6.30" X W 6.81" (288.0mm X 160.0mm X 172.9mm)
Material	Steel
Wind Speed Resistance	150mph (240kmh)
Pole Diameter Range	Ø1.5" (38.1mm) to Ø4" (100mm)
Mounting Style	Pole Mount and Wall Mount
Mounting Hardware to Antenna	Supplied with Bracket
Mounting Hardware to Pole without Tilt	Supplied with Bracket
Mounting Hardware to Pole with Tilt	Partially supplied with Bracket
Mounting Hardware to Wall	Partially supplied with Bracket

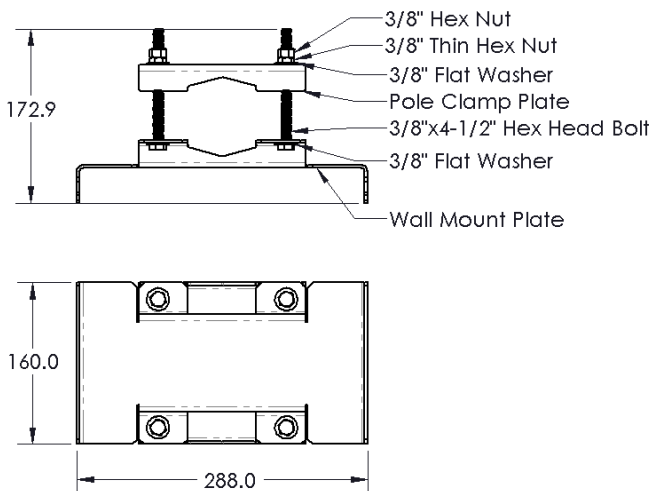


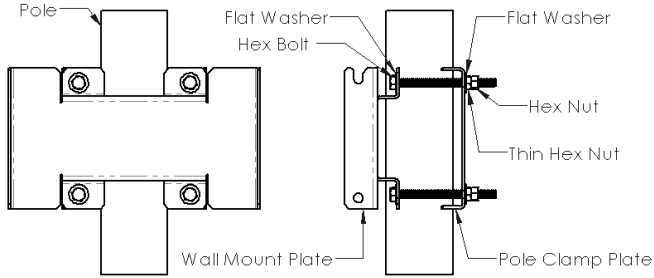
Figure 1. Mounting Bracket

Table 1

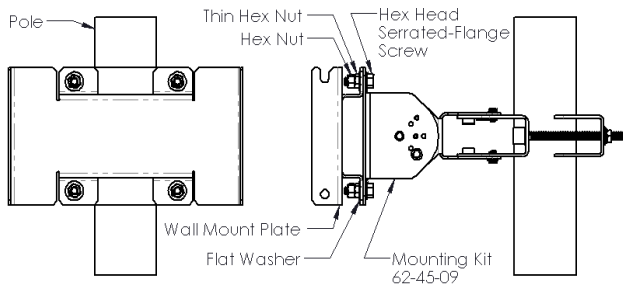
Mounting Hardware to Pole without Tilt	
QTY	DESCRIPTION
1	Wall Mount Plate
1	Pole Clamp Plate
4	3/8"x4-1/2" Hex Head Bolt
8	3/8" Flat Washer
4	3/8" Hex Nut
4	3/8" Thin Hex Nut

## Assembly instructions

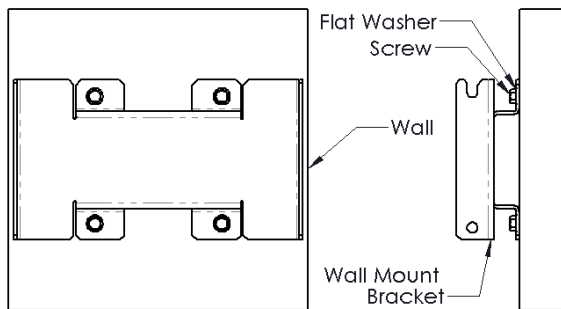
### Stage 1 – Mounting Bracket



**Figure 2. Pole Mount without Tilt**



**Figure 3. Pole Mount with Tilt**



**Figure 4. Wall Mount**

The bracket can be mounted to a pole or a wall.

For pole mounting, the bracket can be mounted to the pole with:

- Pole clamp plate (Figure 2. Pole Mount without Tilt), or
- Mounting kit 62-45-09 (Figure 3. Pole Mount with Tilt), which can provide tilt adjustment to the antenna.

The hardware required for pole mount without tilt is shown in Table 1.

The hardware required for pole mount with tilt is shown in Table 2.

**Table 2**

#### Mounting Hardware to Pole with Tilt

QTY	DESCRIPTION
4	3/8"x1 Hex Head Serrated-Flange Screw
1	Wall Mount Plate
4	3/8" Flat Washer
4	3/8" Hex Nut
4	3/8" Thin Hex Nut
1	Mounting Kit 62-45-09

**Notes:**

1. Only wall mount plate is included in this mounting kit.

The hardware required for wall mount is shown in Table 3.

**Table 3**

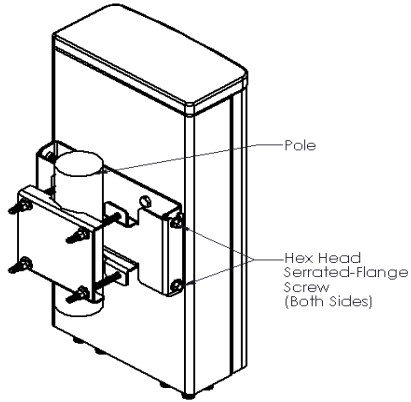
#### Mounting Hardware to Wall

QTY	DESCRIPTION
4	3/8" Wall Mount Screw
1	Wall Mount Plate
4	3/8" Flat Washer

**Notes:**

1. Only wall mount plate is included in this mounting kit.

## Stage 2 – Mounting Antenna



**Figure 5**

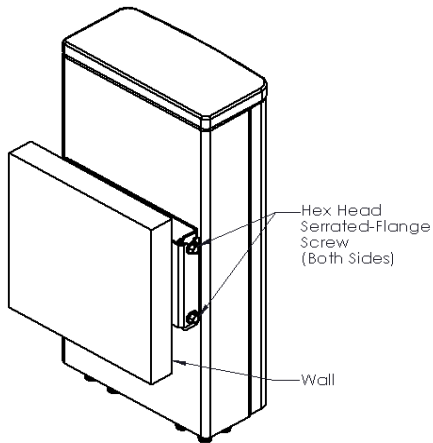
Attach the antenna onto the wall mount bracket using hex head serrated-flange screws as shown in Figure 5, Figure 6, and Figure 7.

Apply a thread lubricant if necessary and tighten the screws to proper torques (depends upon the grade of fastener used).

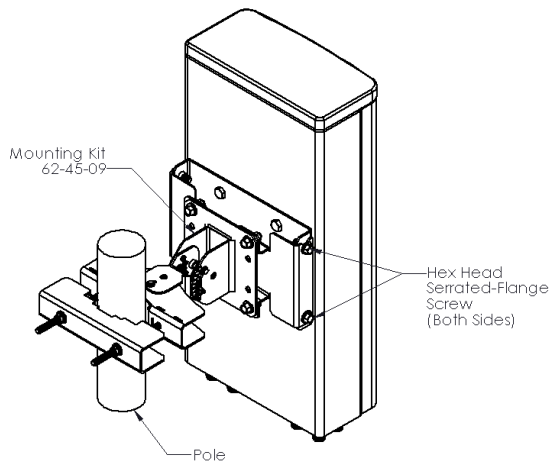
**Table 4**

**Mounting Hardware to Antenna**

QTY	DESCRIPTION
4	3/8"x1 Hex Head Serrated-Flange Screw



**Figure 6**



**Figure 7**