

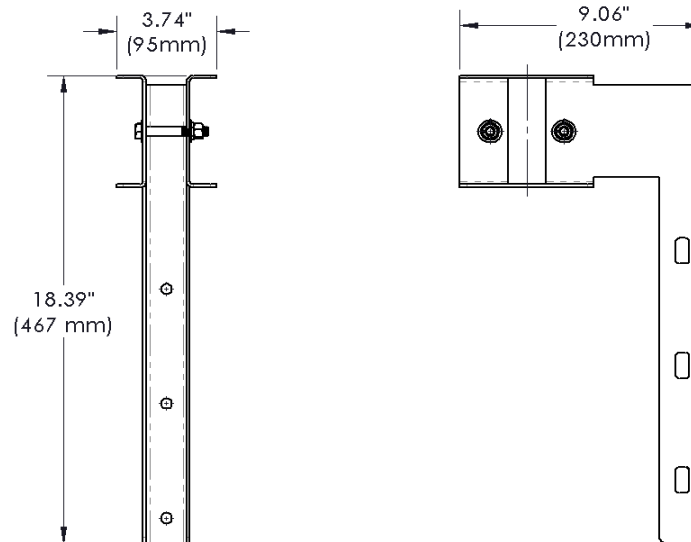
Top Mounting Bracket

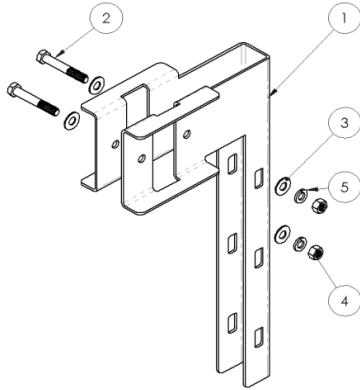
For Outdoor DAS and Small Cell Antenna Installation

DESCRIPTION:

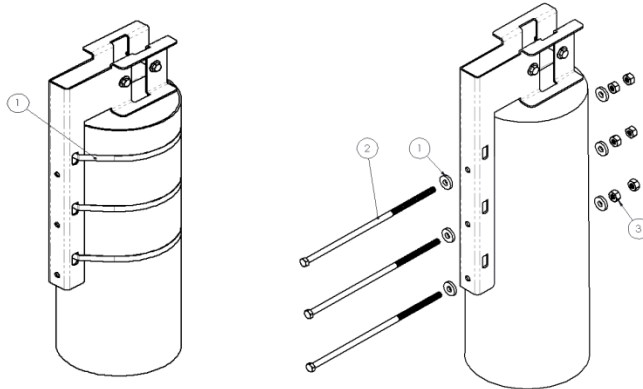
This steel mounting bracket is suitable for outdoor DAS and small cell antennas with Ø2" rod adapter, and can be assembled onto poles ranging from Ø4" (Ø101mm) to Ø12" (Ø305mm).

Specifications	
Model Number	MK-06679
Environmental Conditions	Outdoor
Weight	5.14lbs (2.33kg)
Dimensions	L 9.06" X H 18.39" X W 3.74" (230mm X 467mm X 95mm)
Material	Steel
Wind Speed Resistance	150mph (240kmh)
Pole Diameter Range	Ø4" (101mm) to Ø12" (305mm)
Mounting Style	Top Pole Mount
Mounting Hardware to Antenna	Supplied with Bracket
Mounting Hardware to Pole	Not Supplied with Bracket





Mounting Hardware to Antenna (included with bracket)		
ITEM	QTY	DESCRIPTION
1	1	Bracket
2	2	3/8"x2.5 Hex Bolt
3	4	3/8" Plain Washer
4	2	3/8" Nut
5	2	3/8" Spring Lock Washer



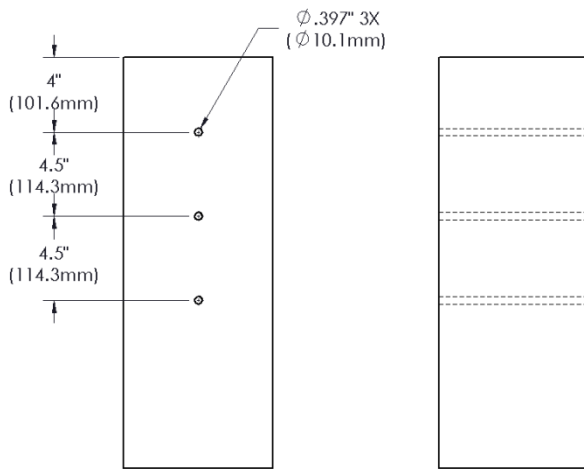
Mounting Hardware to Pole (to be supplied by customer)		
Config. 1 – Metal Strapping		
ITEM	QTY	DESCRIPTION
1	3	Metal Strapping Kit
Config. 2 – Through Bolting		
ITEM	QTY	DESCRIPTION
1	6	3/8" Large Diameter Flat Washer
2	3	3/8" Hex Bolt ¹
3	6	3/8" Spring Lock Washer
Notes:		
1. Required bolt length varies with pole diameter.		

Config. 1 – Metal Strapping
Recommended for metal or composite poles

Config. 2 – Through Bolting
Recommended for wooden poles

Assembly instructions

Stage 1 – Preparing Pole



Config. 2

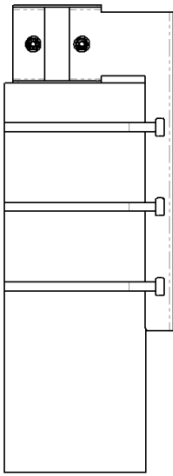
The bracket can be attached to the pole with either:

- Metal Strapping (Config. 1) which is recommended for metal or composite poles, or
- Through-Bolting (Config. 2) which is recommended for wooden poles.

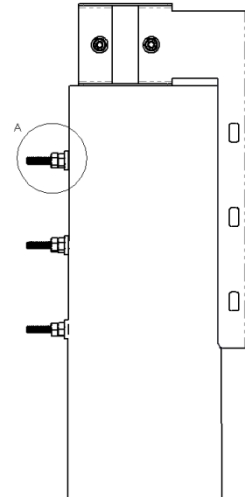
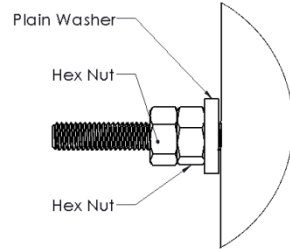
For Through Bolting (config. 2):

- Select the best side of the woodend pole for mounting the bracket (most level/plumb, most flat)
- Using the bracket as a guide, mark the hole locations.
- Drill 3x mounting holes through the center of the pole as shown.

Stage 2 – Mounting Bracket



Config. 1



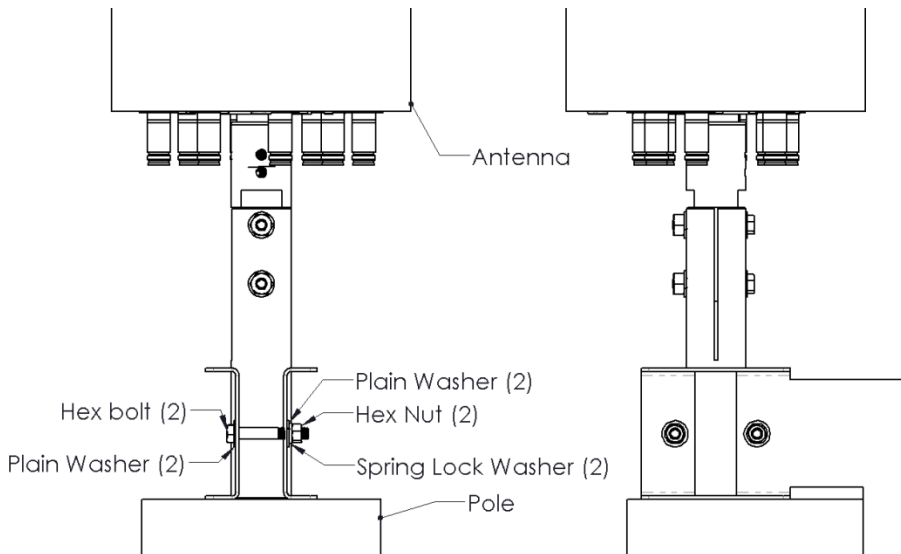
Config. 2

Attach the bracket onto the pole using either metal strapping (Config. 1) or bolts (Config.2).

If necessary, shim the bracket to make it level/plumb.

If bolting (Config. 2), apply a thread lubricant if necessary and tighten the nuts to proper torques (depends upon the grade of fastener used).

Stage 3 – Mounting Antenna



Insert the antenna rod adapter into the bracket and tighten the nuts on the 2 clamping bolts.

It is recommended to:

- Apply a thread lubricant (such as LOCTITE® LB 771™) before tightening the nuts.
- Torque the clamping nuts to 14 ft*lbs (19 Nm).
- If not using thread lubricant, torque the clamping nuts to 18 ft*lbs (24.4 Nm)