

12" 10-Port Multi-Band 65° Directional Panel Antenna [1695-2690, 3400-3800 and 5150-5925 MHz]

GP1210-06830

Description:

- Single-sector 10-Port MIMO antenna for Small Cell, Outdoor DAS and high-capacity stadium applications.
- 65° beam width dual-polarized covering AWS/PCS/WCS/BRS, CBRS and LAA / U-NII Bands.
- 4x ports for 1695-2690 MHz with Manual Electrical Tilt (MET)
- 4x ports for 3400-3800 MHz
- 2x ports for 5150-5925 MHz*



10-Port 1695-2690, 3400-3800 and 5150-5925 MHz Directional Panel Antenna with Mounting Bracket

*Compliant to 789033 D02 General U-NII Test Procedures New Rules v01r04: The antenna meets current U-NII-1 requirements for gain and upper side-lobe performance. Guidelines for Compliance Testing of Unlicensed National Information

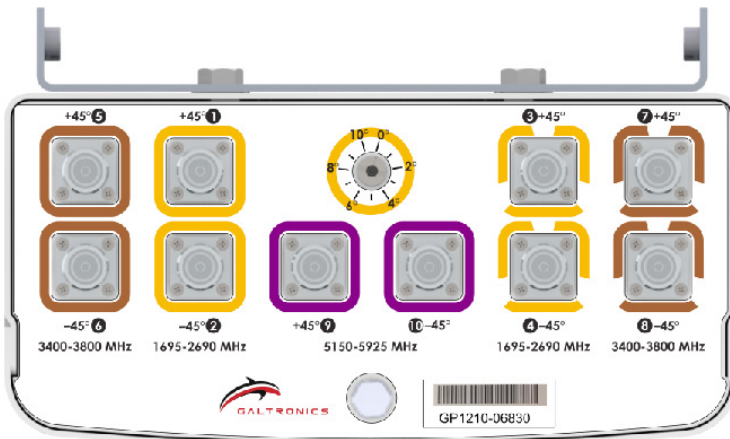
Electrical Specifications

| Frequency Band [MHz] | 1695-2180 | 2300-2400 | 2496-2690 | 3400-3800 | 5150-5925 |
|----------------------------------|-----------------------|-----------|-----------|--------------|--------------|
| Input Connector Type | 4x 4.3-10(F) | | | 4x 4.3-10(F) | 2x 4.3-10(F) |
| Port-to-Port Isolation (min.) | 20 dB | | | | |
| VSWR (max.) / Return Loss (min.) | 1.5:1 / 14.0 dB | | | | |
| Impedance | 50 Ω | | | | |
| Polarization | Dual slant 45° (±45°) | | | | |
| Horizontal Beamwidth | 70° | 64° | 66° | 59° | 69° |
| Vertical Beamwidth | 28.6° | 23.9° | 22.4° | 25.8° | 22.8° |
| Gain (max.) | 11.9 dBi | 12.1 dBi | 12.2 dBi | 12.1 dBi | 5.5 dBi |
| Gain (avg.) | 10.9 dBi | 11.7 dBi | 11.4 dBi | 11.5 dBi | 4.7 dBi |
| Front-to-Back Ratio, 180° | 30 dB | 30 dB | 30 dB | 30 dB | 28 dB |
| Downtilt | 0° - 10° MET | | | 0° Fixed | 0° Fixed |
| Max Power / Port | 100 Watts | | | 50 Watts | 1 Watt |
| PIM @ 2x43 dBm | <-153 dBc | | | N/A | N/A |

Mechanical Specifications

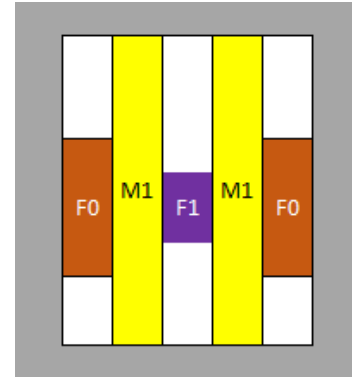
| | |
|--|--|
| Operating Temperature | -40° to 158°F (-40° to +70°C) |
| Antenna Weight | 12 lbs (5.4 kg) |
| Antenna Dimension (Height x Width x Depth) | (12.6" x 12.0" x 5.9") / (319mm x 306mm x 149mm) |
| Radome Material | ASA |
| RoHS | Compliant |
| Radome Color | Gray |
| Ingress Protection | Outdoor (IP65) |
| Wind Survival Rating | 150 mph (241 km/h) |

Bottom Plate with Port Labels

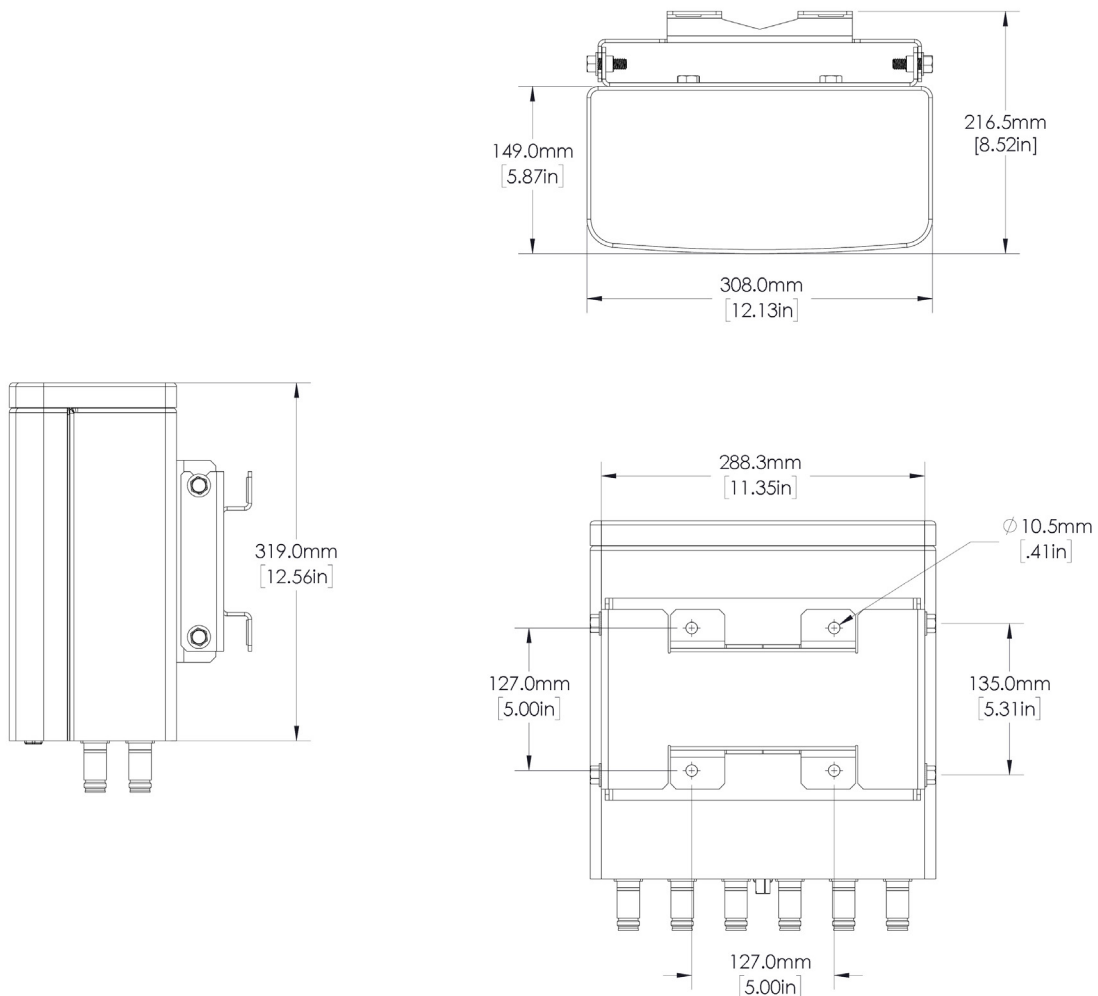


MET Designator

| Frequency Range | MET Designator | Ports | Electrical Tilt |
|-----------------|----------------|---------|-----------------|
| 1695-2690 MHz | M1 | 1-2-3-4 | 0° - 10° MET |
| 3400-3800 MHz | F0 | 5-6-7-8 | 0° Fixed |
| 5150-5925 MHz | F1 | 9-10 | 0° Fixed |

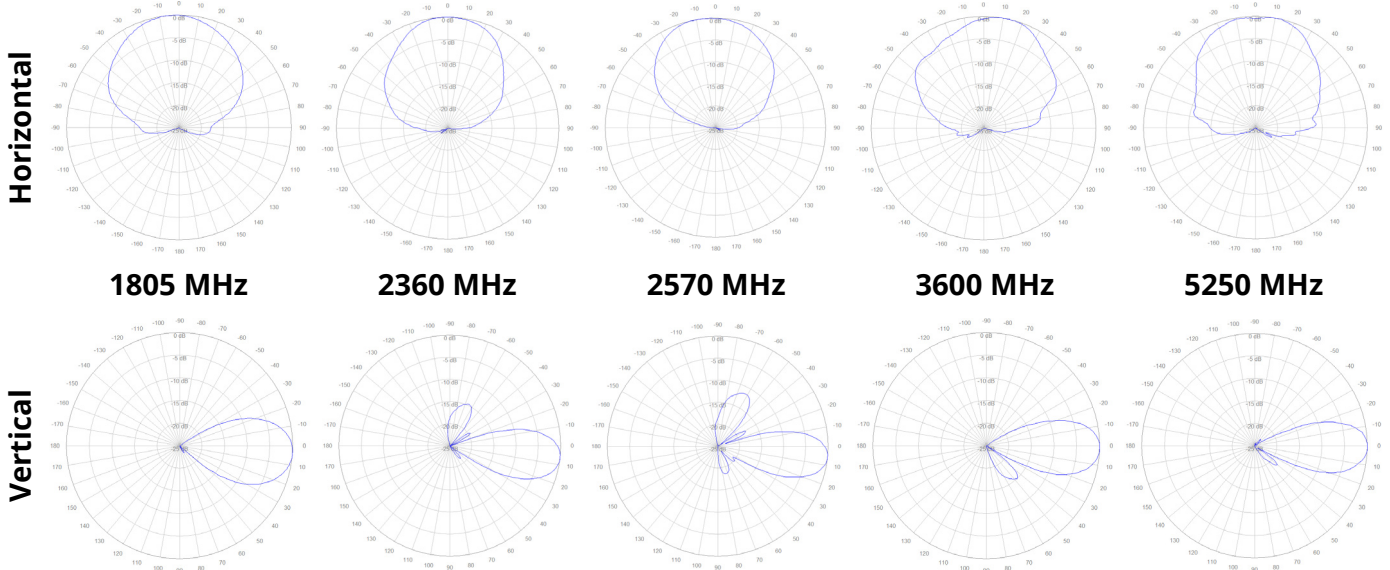


Antenna Outline


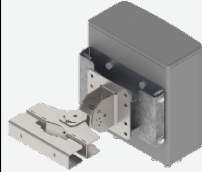


RFD# 06830 ; Revision: 1.1 ; Release Date: November 06, 2018;

Antenna Patterns



Part Numbers, Ordering Options and Accessories

| Description | Part Number: |
|--|---|
| Antenna with 10x 4.3-10(F) Connectors, Gray (Including MK-06853 Wall/Pole Mounting Bracket) | GP1210-06830-112 |
| Mounting Bracket (included): | Part Number: |
| Heavy Duty (wind speed of 150 mph) [Included] This mounting bracket offers an easy installation solution to mount the antenna to either a horizontal or a vertical pole. |  MK-06853 |
| Heavy Duty Mounting Bracket (wind speed of 150 mph) [Optional] This optional mounting bracket offers an easy installation solution to mount the antenna to either a horizontal or a vertical pole. |  62-45-09 |

Mating Connector Torque:
4.3-10: 3.7 ft-lb (5 Nm)