

2' 10-Port Multi-Band 65° Directional Panel Antenna [1695-2690, 3400-3800 and 5150-5925 MHz]

GP2410-06636

Description:

- Single-sector 10-Port MIMO antenna for Small Cell, Outdoor DAS and high-capacity stadium applications.
- 65° beam width dual-polarized covering AWS/PCS/WCS/BRS, CBRS and LAA-UNII Bands.
- 4x ports for 1695-2690 MHz with Manual Electrical Tilt (MET)
- 4x ports for 3400-3800 MHz
- 2x ports for 5150-5925 MHz*

*Compliant to 789033 D02 General UNII Test Procedures New Rules v01r04: The antenna meets current U-NII-1 requirements for gain and upper side-lobe performance. Guidelines for Compliance Testing of Unlicensed National Information.



10-Port 1695-2690, 3400-3800 and 5150-5925 MHz Directional Panel Antenna with Mounting Bracket

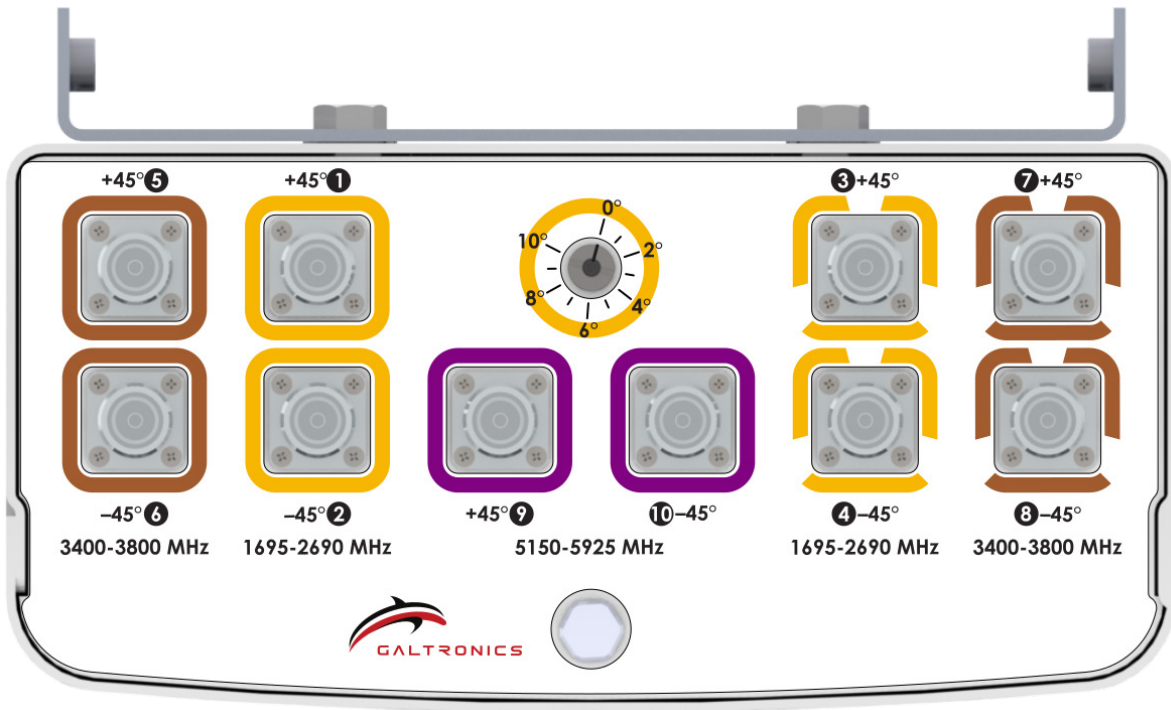
Electrical Specifications

Frequency Band [MHz]	1695-2180	2300-2400	2496-2690	3400-3800	5150-5925
Input Connector Type	4x 4.3-10(F)			4x 4.3-10(F)	2x 4.3-10(F)
Port-to-Port Isolation (min.)	20 dB				
VSWR (max.) /Return Loss (min.)	1.5:1 / 14.0 dB				
Impedance	50 Ω				
Polarization	Dual slant 45° (±45°)				
Horizontal Beamwidth	68°	60°	58°	62°	48°
Vertical Beamwidth	14.5°	11.9°	10.8°	19.2°	22.0°
Gain (max.)	14.6 dBi	15.2 dBi	15.2 dBi	14.2 dBi	5.5 dBi
Gain (avg.)	13.9 dBi	14.6 dBi	14.7 dBi	13.2 dBi	4.7 dBi
Front-to-Back Ratio, 180°	>29 dB	>29 dB	>30 dB	>27 dB	>28 dB
Downtilt	0° - 10° MET			0° Fixed	0° Fixed
Max Power / Port	100 Watts			50 Watts	1 Watt
PIM @ 2x43 dBm	<-153 dBc			N/A	N/A

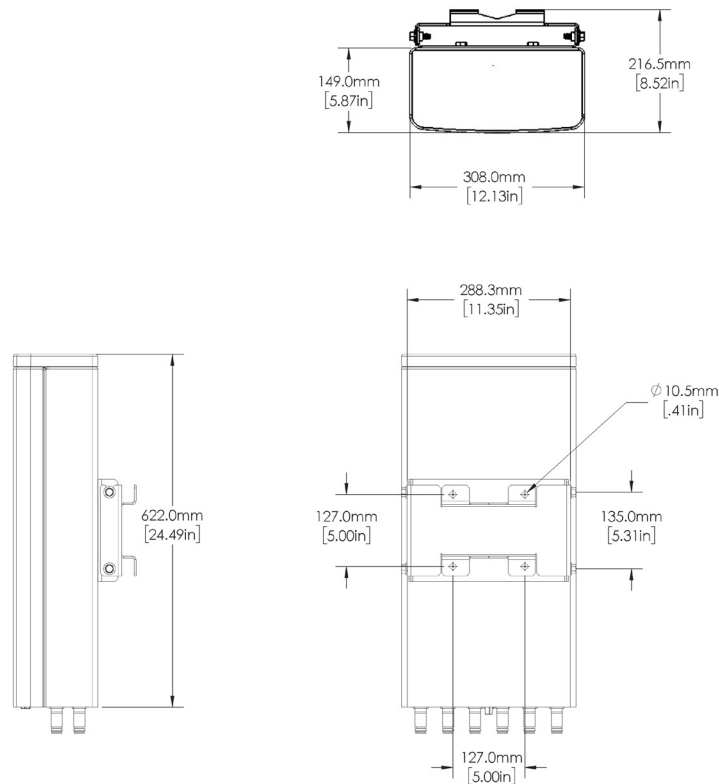
Mechanical Specifications

Operating Temperature	-40° to 158°F (-40° to +70°C)
Antenna Weight	26.4 lbs (12 Kg)
Antenna Dimension (Height x Width x Depth)	(24.5" x 12.0" x 5.9") / (622 mm x 308 mm x 149 mm)
Radome Material	ASA
RoHS	Compliant
Radome Color	Gray
Ingress Protection	Outdoor (IP65)
Wind Survival Rating	150 mph (241 km/h)

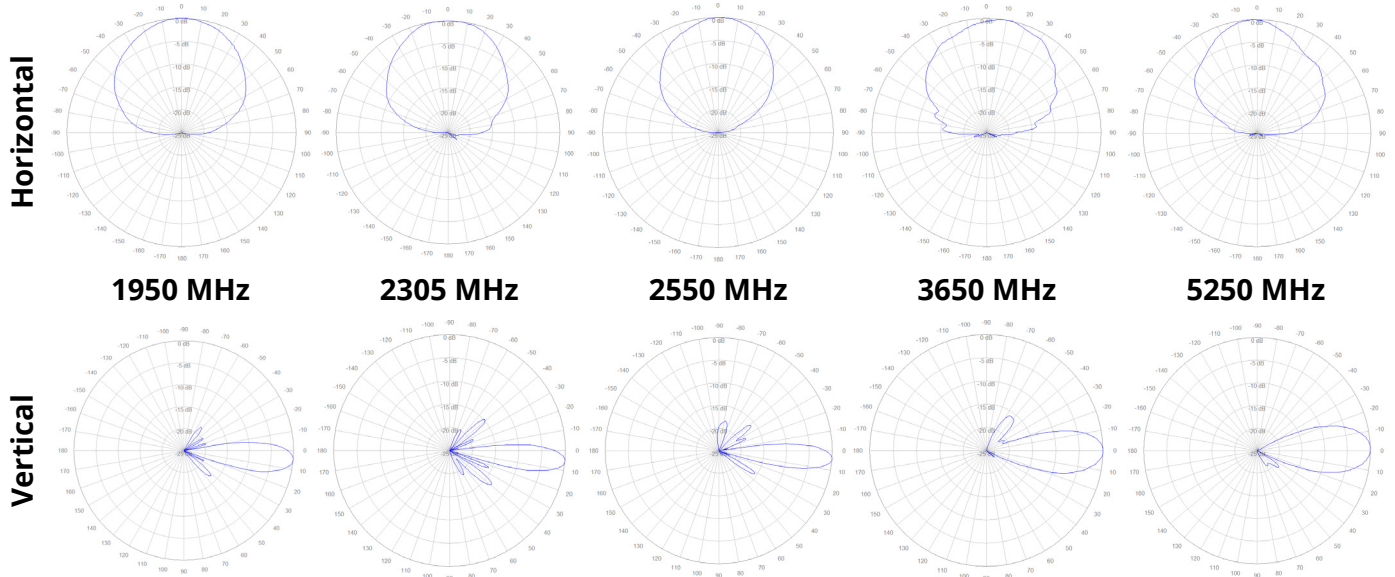
Bottom Plate with Port Labels




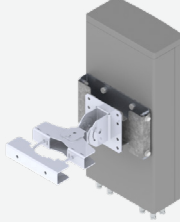
Antenna Outline



Antenna Patterns



Part Numbers, Ordering Options and Accessories

Description	Part Number:
Antenna with 10x 4.3-10(F) Connectors, Gray (Including MK-06853 Wall/Pole Mounting Bracket)	GP2410-06636-112
Mounting Brackets:	Part Number:
<p>Heavy Duty Mounting Bracket (wind speed of 150 mph) [Included]</p> <p>This standard mounting bracket offers an easy installation solution to mount the antenna to either a horizontal or a vertical pole.</p>	 <p>MK-06853</p>
<p>Heavy Duty Mounting Bracket (wind speed of 150 mph) [Optional]</p> <p>This optional mounting bracket offers an easy installation solution to mount the antenna to either a horizontal or a vertical pole.</p>	 <p>62-45-09</p>

Mating Connector Torque:
4.3-10: 3.7 ft-lb (5 Nm)