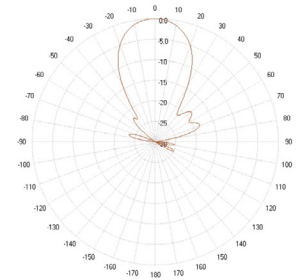
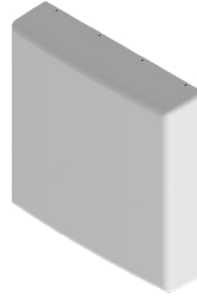


## 30°/30° 6-Port Directional Panel Antenna [698-896, 1695-2690 and 5150-5925 MHz]

# GP2406-06670

### Description:

- Single-sector Hex-port MIMO antenna for high capacity and stadium venues.
- 30°/30° beam width dual-polarized covering LTE/ CELL, AWS/PCS/WCS and LAA/U-NII Bands.
- 2x ports for 698-896 MHz and 1695-2690 MHz
- 2x ports for 1695-2690 MHz
- 2x ports for 5150-5925 MHz\*



698-896, 1695-2690 & 5150-5925 MHz Directional Panel Antenna

\*Compliant to 789033 D02 General U-NII Test Procedures New Rules v01r04: The antenna meets current U-NII-1 requirements for gain and upper side-lobe performance. Guidelines for Compliance Testing of Unlicensed National Information Infrastructure (U-NII) Devices - Part 15, Subpart E

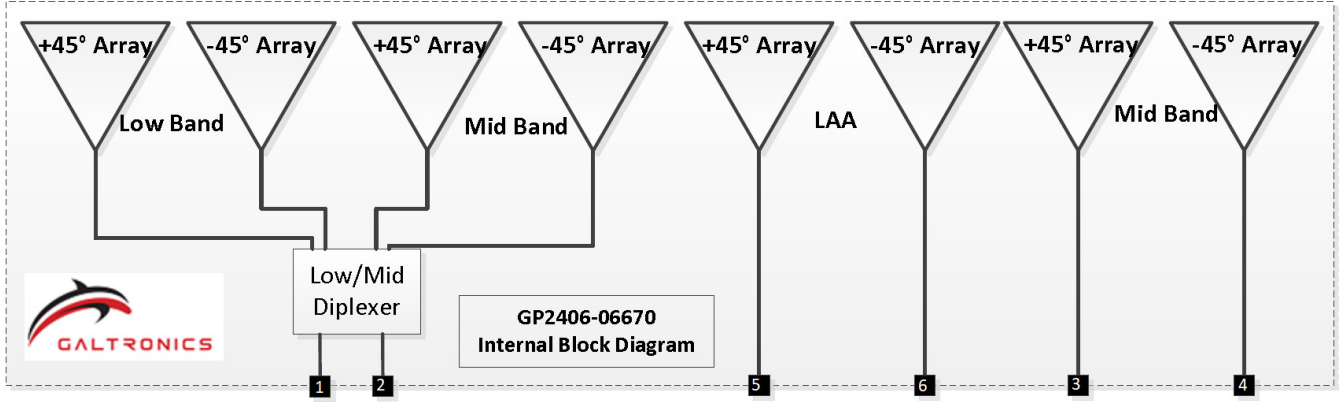
### Electrical Specifications

Frequency Band [MHz]	698-806	806-896	1695-2180	2300-2400	2496-2690	5150-5925
Input Connector Type	2x 4.3-10 (F)					2x 4.3-10 (F)
Isolation (Typ.)	20 dB					
VSWR/Return Loss (Typ.)	<1.5:1 / 14.0 dB					
Impedance	50 Ω					
Polarization	Dual slant 45° (±45°)					
Horizontal Beamwidth	39.6°	33.9°	32.4°	24.2°	23.4°	20.9°
Vertical Beamwidth	36.3°	31.7°	27.2°	22.8°	20.3°	21.1°
Max. Gain	12.6 dBi	13.0 dBi	15.5 dBi	16.0 dBi	16.7 dBi	6.0 dBi
Avg. Gain	12.2 dBi	12.7 dBi	14.6 dBi	15.5 dBi	15.9 dBi	5.3 dBi
Front-to-Back Ratio, 180°	28 dB	30 dB	30 dB	30 dB	30 dB	30 dB
Max Power / Port	150 Watts		100 Watts			1 Watt
PIM @ 2x43 dBm	<-153 dBc		<-153 dBc			N/A

### Mechanical Specifications

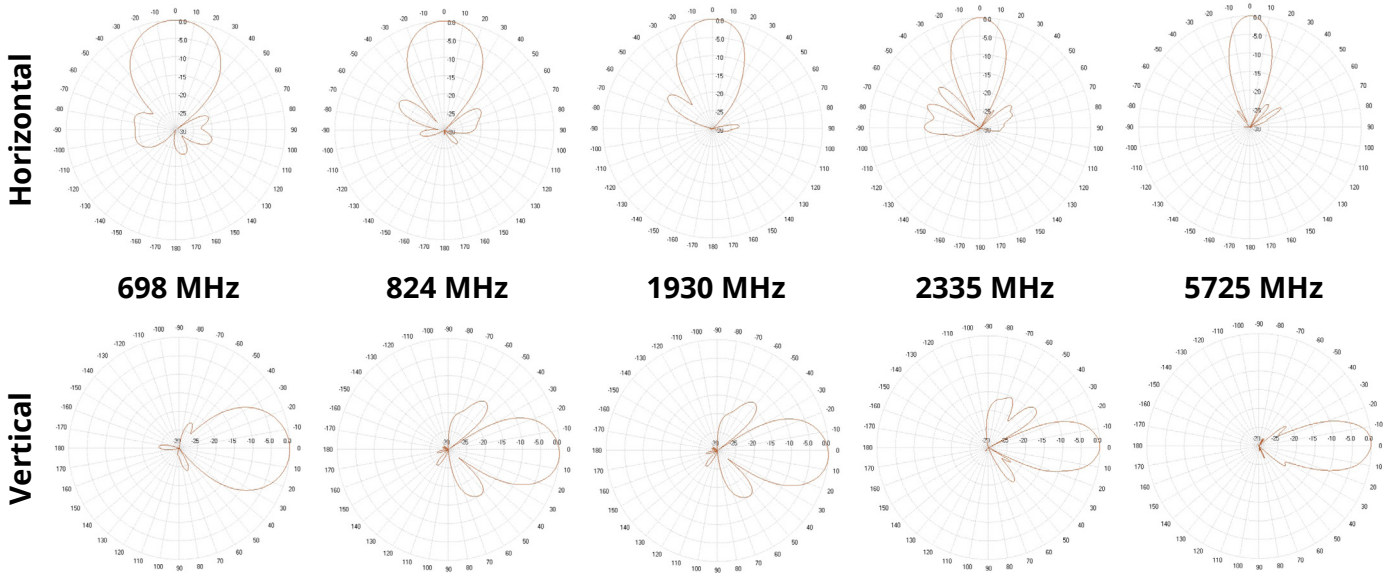
Operating Temperature	-40° to 158°F (-40° to +70°C)
Antenna Weight	26.5 lbs (12.0 kg)
Antenna Depth	6.0" (152 mm)
Antenna Width	23.3" (592mm)
Antenna Height	23.3" (592mm)
Radome Material	ASA
Radome Color	Gray
Ingress Protection	Outdoor (IP65)
Wind Survival Rating	150 mph (241 km/h)

**Bottom Plate with Port Labels**

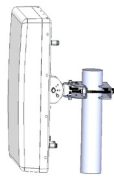



## Additional Technical Information

### Antenna Patterns



### Part Numbers, Ordering Options and Accessories

Description:	Part Number:
Antenna with 6x 4.3-10(F) Connectors, Gray	GP2406-06670-111
<b>Optional Items &amp; Accessories:</b>	
<p><b>Heavy Duty Mounting Bracket (wind speed of 150 mph)</b></p> <p>This optional mounting bracket offers an easy installation solution to mount the antenna to either a horizontal or a vertical pole.</p>	 <p><b>62-45-09</b> <b>(Sold Separately)</b></p>
<p><b>Low Power 50 Ohm Termination Load</b></p>	 <p><b>TL-06816-102</b> <b>(Sold Separately)</b></p>

**Mating Connector Torque:**  
4.3-10: 3.7 ft-lb ( 5 Nm)