

Installation Guide for Antenna EXTENT™ D5501i

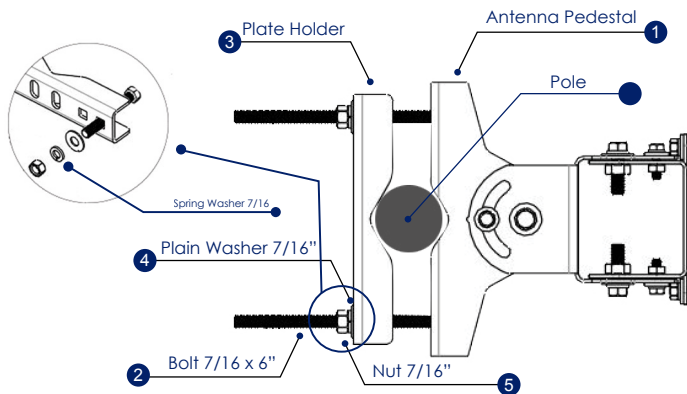
Tools required for Mounting installation:



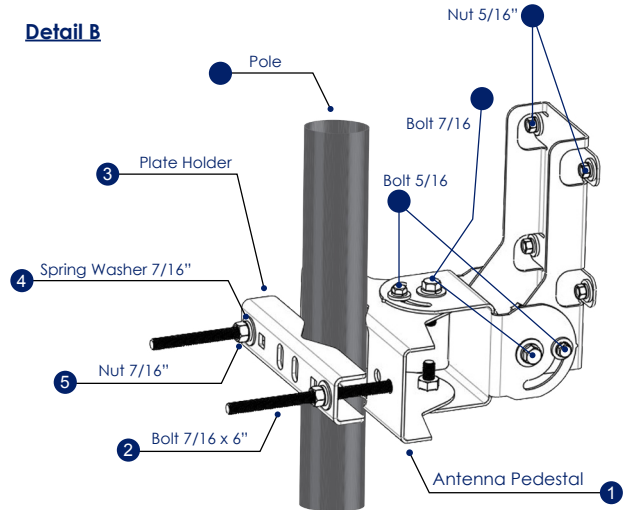
Wrench:	Description	Tightening torque
11/16"/17.5mm	Bolt 7/16"	310 lb* inch (35Nm)
5/8" / 16mm	Nuts 7/16"	310 lb* inch (35Nm)
11/16"/17.5mm	Bolt 5/16"	132 lb* inch (15Nm)
1/2" / 13mm	Nuts 5/16"	62 lb* inch (7Nm)

Pole Mounting

Detail A Top view



Detail B

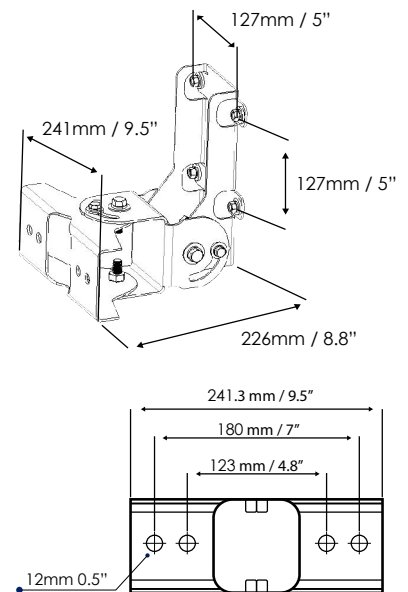
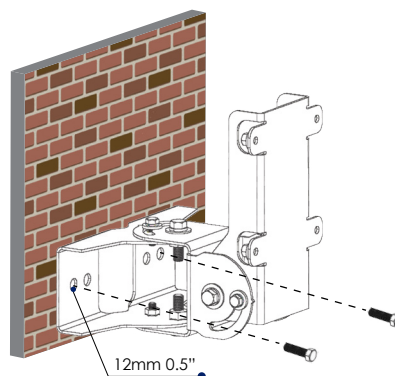


- Attach the antenna pedestal to the pole together with the plate holder & the 7/16 Bolt as shown in Detail A & B
- Use the provided hardware to mount the antenna pedestal

Wall Mounting

- Mark the 2 holes on the wall as shown in **Detail C**.
- Drill 2 holes into the wall according to markings
- Attach the antenna pedestal to the wall. Using 1/2" (12mm) bolt (not provided)

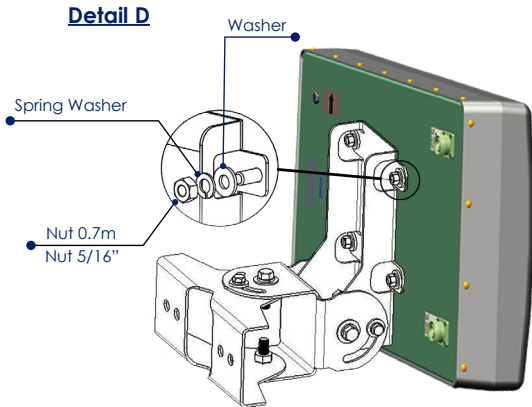
Detail C



21-384-03

Installation Guide for Antenna EXTENT™ D5501i

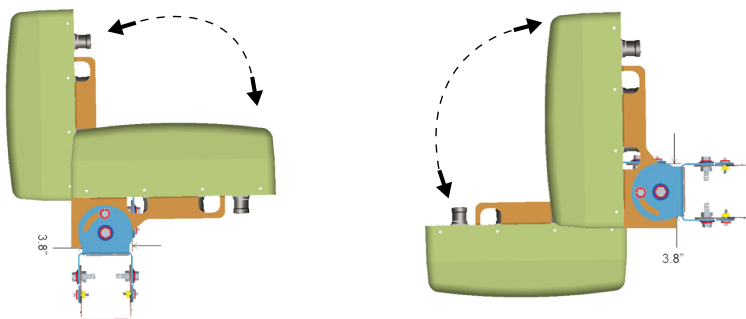
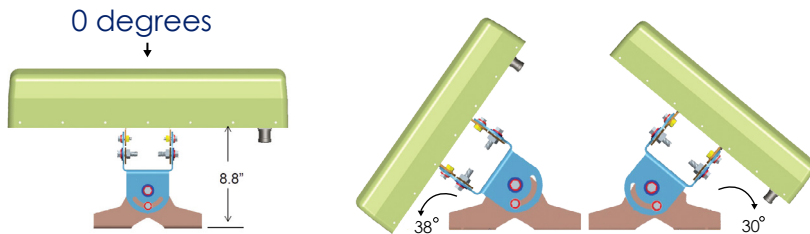
Antenna Mounting



- Attach the antenna and tighten it with washers and 5/16" / 0.7mm nut as shown in Detail D.

Antenna Horizontal & Vertical Options

Horizontal



90 degrees

90 degrees

Vertical

